

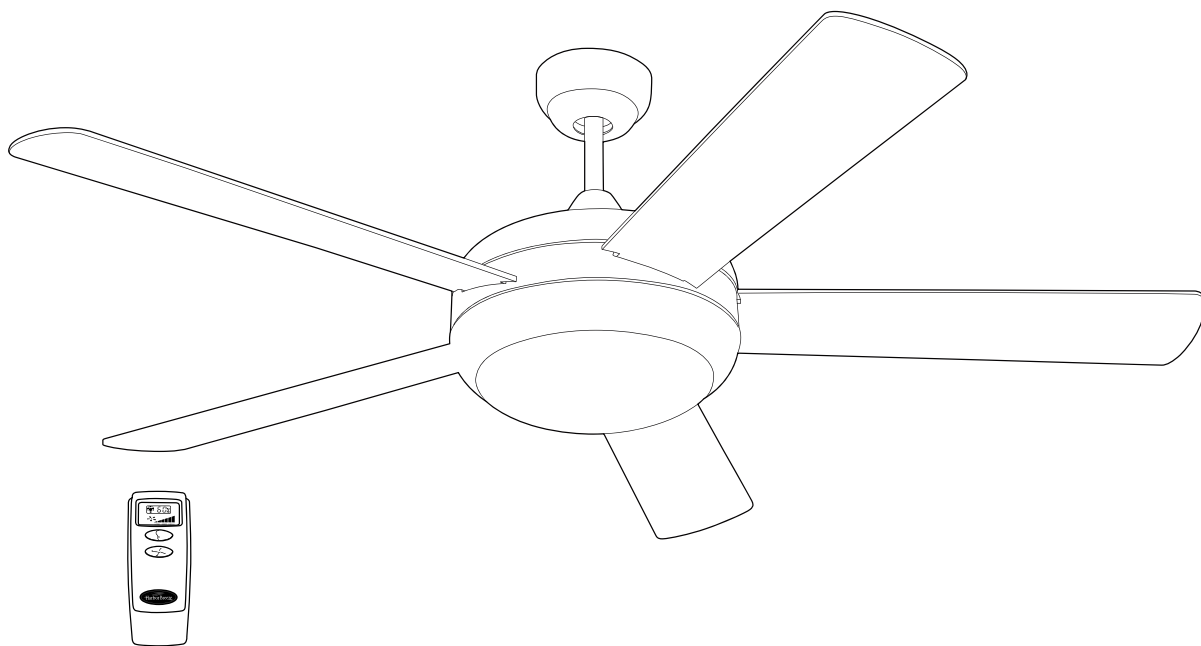


AERO CEILING FAN

MODEL #E-AER52BRZ5LKRCI

Español p. 20

Harbor Breeze® is a registered trademark of LF, LLC. All Rights Reserved.



Federal regulations require ceiling fans with light kits manufactured or imported after January 1, 2009, to limit total wattage consumed by the light kit to 190W. Therefore, this fan is equipped with a wattage limiting device.



ATTACH YOUR RECEIPT HERE

Serial Number _____ Purchase Date _____



Questions, problems, missing parts? Before returning to your retailer, call our customer service department at **1-800-643-0067**, 8 a.m. - 6 p.m., EST, Monday - Thursday, 8 a.m. - 5 p.m., EST, Friday.



Lowes.com/harborbreeze

TABLE OF CONTENTS

Safety Information	2
Package Contents	4
Hardware Contents	5
Preparation	5
Initial Installation	6
Fan Mounting	8
Wiring	11
Final Installation	13
Automated Learning Process/Activating Code	14
Operating Instructions.....	15
Care and Maintenance	17
Troubleshooting.....	17
Limited Lifetime Warranty	18
Replacement Parts List	19



SAFETY INFORMATION

READ AND SAVE THESE INSTRUCTIONS

Please read and understand this entire manual before attempting to assemble, install or operate the product.

- Do not discard fan carton or foam inserts. Should this fan need to be returned to the factory for repairs, it must be shipped in its original packaging to ensure proper protection against damage that might exceed the initial cause for return.
- Make sure that all electrical connections comply with local codes, ordinances, the National Electrical Code and ANSI/NFPA 70-1999. Hire a qualified electrician or consult a do-it-yourself wiring handbook if you are unfamiliar with installing electrical wiring.
- Make sure the installation site you choose allows a minimum clearance of 7 ft. from the blades to the floor and at least 30 in. from the end of the blades to any obstruction.
- After you install the fan, make sure that all connections are secure to prevent the fan from falling.
- The net weight of this fan including the light kit is: 21.54 lbs.



WARNING



To reduce the risk of fire, electrical shock, or personal injury, mount fan to outlet box marked "ACCEPTABLE FOR FAN SUPPORT OF 35 LBS. (15.9 KG) OR LESS" and use mounting screws provided with the outlet box. Most outlet boxes commonly used for the support of lighting fixtures are not acceptable for fan support and may need to be replaced. Consult a qualified electrician if in doubt.

When mounting fan to a ceiling outlet box, use a METAL octagonal outlet box. Secure the outlet box directly to the building structure. The outlet box and its support must be able to support the moving weight of the fan (at least 35 lbs.). Do NOT use a plastic outlet box.

To avoid personal injury, the use of gloves may be necessary while handling fan parts with sharp edges.

To reduce the risk of fire, electrical shock, or personal injury, wire connectors provided with this fan are designed to accept only one 12-gauge house wire and two lead wires from the fan. If your house wire is larger than 12-gauge or there is more than one house wire to connect to the corresponding fan lead wires, consult an electrician for the proper size wire connectors to use.

To reduce the risk of fire or electrical shock, do not use the fan with any solid state speed control device or control fan speed with a full range dimmer switch.

To reduce the risk of fire, electrical shock or personal injury, do not bend the blade arms when installing them, balancing the blades or cleaning the fan. Do not insert objects between the rotating fan blades.

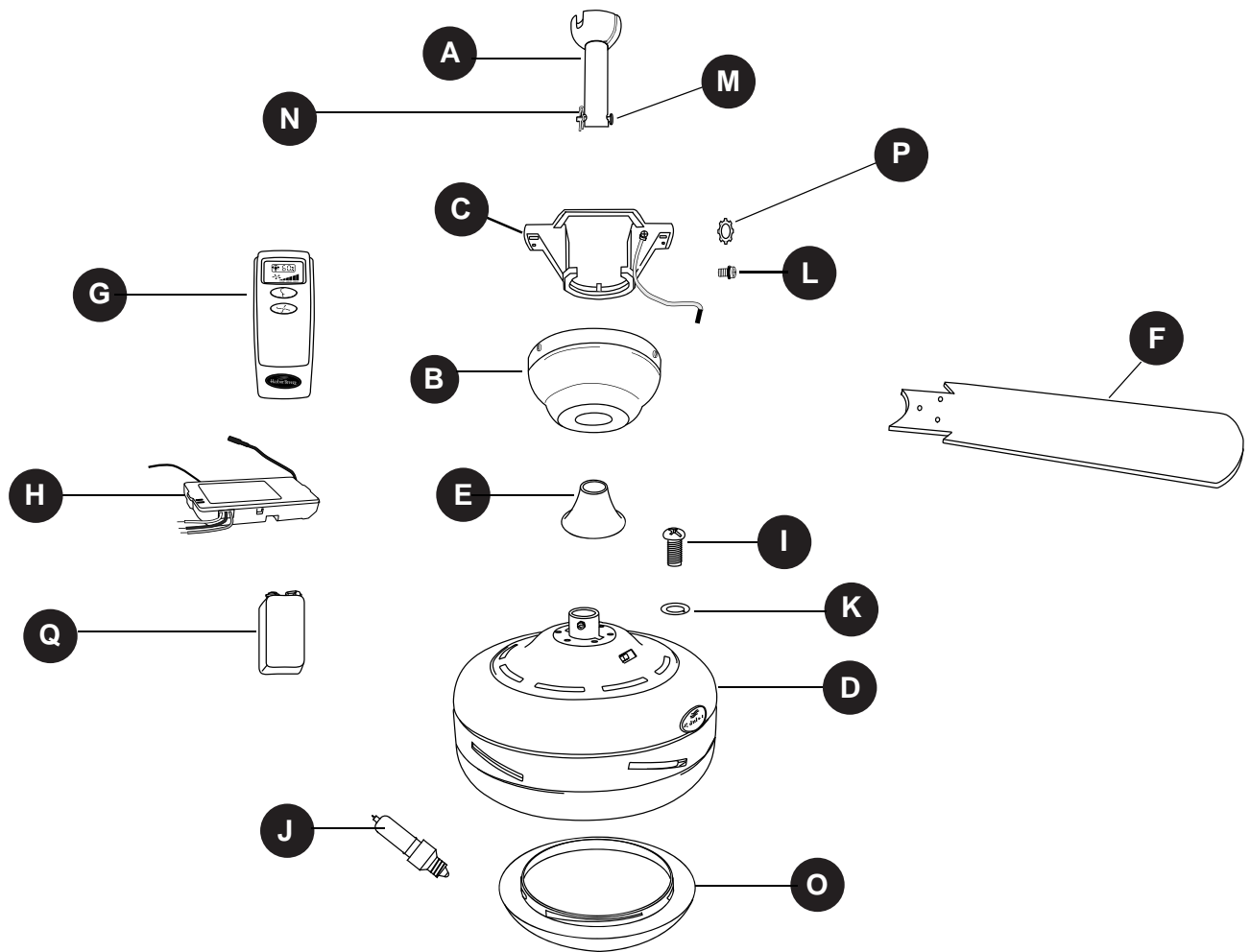
To reduce the risk of personal injury, use **only** parts provided with this fan. **The use of parts OTHER than those provided with this fan will void the warranty.**

CAUTION

Before proceeding, be sure to shut off electricity at main switch or circuit breaker in order to avoid electrical shock.

Read all instructions and safety information before installing your new fan. Review the accompanying assembly diagrams.

PACKAGE CONTENTS



PART	DESCRIPTION	QUANTITY
A	Downrod	1
B	Canopy	1
C	Mounting Bracket	1
D	Motor Housing	1
E	Yoke Cover	1
F	Blade	5
G	Remote Control Transmitter	1
H	Remote Control Receiver	1
I	Motor Screw (preassembled)	6
J	Bulb	1
K	Lock Washer (preassembled)	6

PART	DESCRIPTION	QUANTITY
L	Canopy Mounting Screw (preassembled)	4
M	Pin (preassembled)	1
N	Clip (preassembled)	1
O	Glass Shade	1
P	Star Washer (preassembled)	4
Q	Battery	1

⚠ IMPORTANT REMINDER: You must use the parts provided with this fan for proper installation and safety.

HARDWARE CONTENTS (shown actual size)

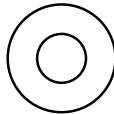
AA



Blade
Screw

Qty. 15
+ 1 extra

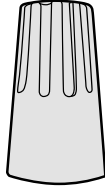
BB



Fiber
Blade
Washer

Qty. 15
+ 1 extra

CC



E3 Wire
Connector

Qty. 6
+ 4 extra

PREPARATION

Before beginning assembly of product, make sure all parts are present. Compare parts with package contents list and hardware contents list. If any part is missing or damaged, do not attempt to assemble the product.

Estimated Assembly Time: 120 minutes

Tools Required for Assembly (not included): Electrical Tape, Phillips Screwdriver, Pliers, Safety Glasses, Stepladder and Wire Strippers

Helpful Tools (not included): AC Tester Light, Tape Measure, Do-It-Yourself Wiring Handbook and Wire Cutters

⚠ DANGER: When using an existing outlet box, make sure the outlet box is securely attached to the building structure and can support the full weight of the fan. Failure to do this can result in serious injury or death. The stability of the outlet box is essential in minimizing wobble and noise in the fan after installation is complete.

⚠ CAUTION: Be sure outlet box is properly grounded and that a ground wire (green or bare) is present.

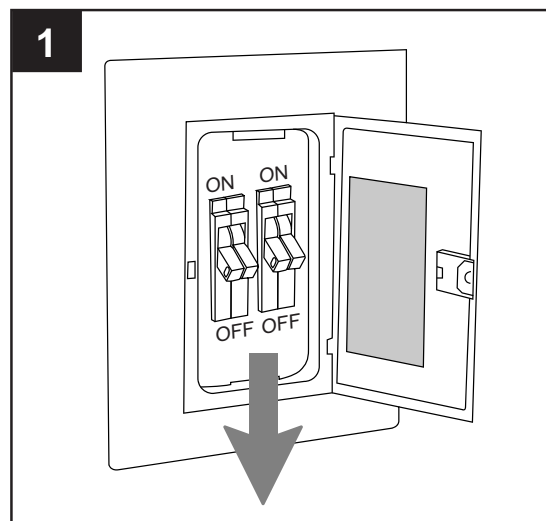
After opening top of carton, remove mounting hardware package from foam inserts. Remove motor from packing and place on carpet or on foam to avoid damage to finish.

⚠ CAUTION: Carefully check all screws, bolts and nuts on fan motor assembly to ensure that they are secured.

INITIAL INSTALLATION

1. Turn off circuit breakers and wall switch to the fan supply line leads.

⚠ DANGER: Failure to disconnect power supply prior to installation may result in serious injury or death.

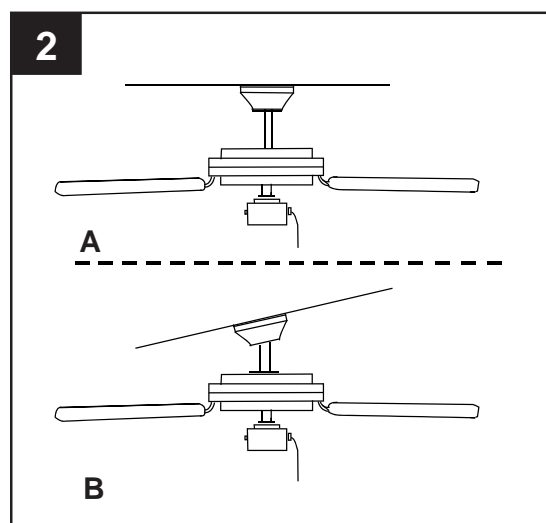


2. Determine mounting method to use.

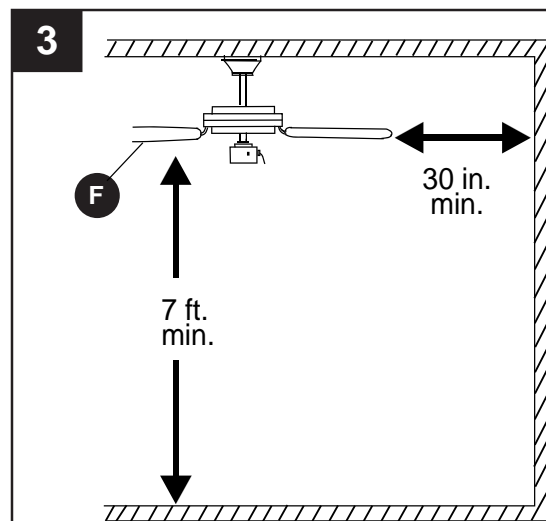
A. Standard mount

B. Angle mount

IMPORTANT: If using the angle mount, ensure the ceiling angle is not steeper than 19°.



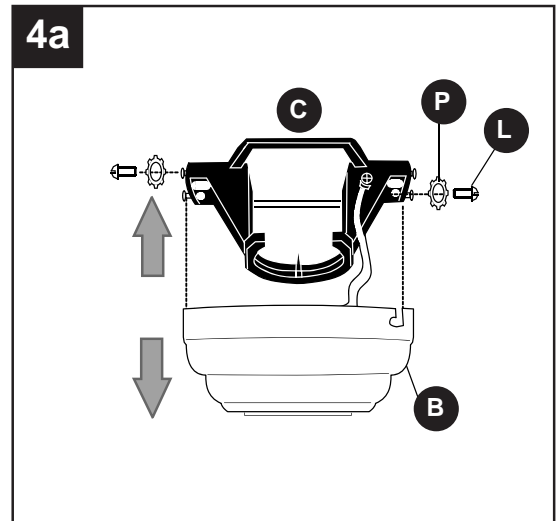
3. Check to make sure blades (F) are at least 30 in. from any obstruction and at least 7 ft. above the floor.



INITIAL INSTALLATION

- 4a. Loosen canopy mounting screws (L) in slotted holes of canopy (B) and remove the other two canopy mounting screws (L) and star washers (P); save canopy mounting screws (L) and star washers (P) for later use.

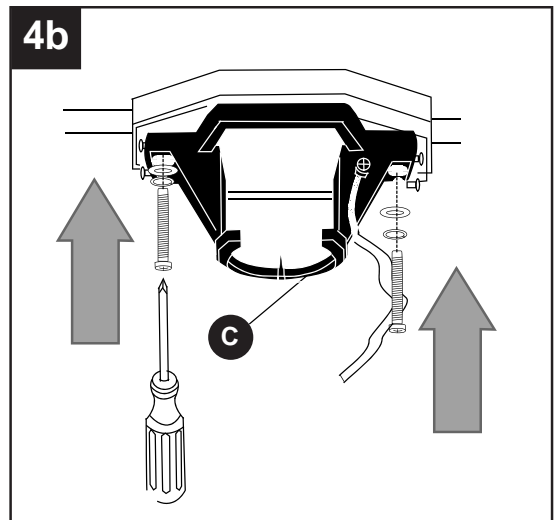
Remove mounting bracket (C) from canopy (B).



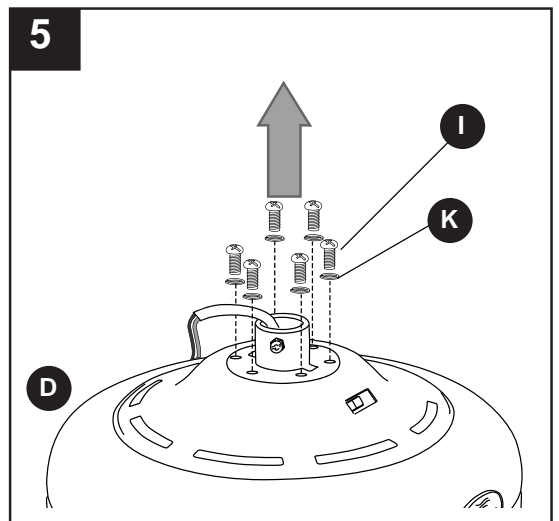
- 4b. Secure mounting bracket (C) to outlet box (not included) using screws, spring washers and flat washers provided with the outlet box.

***NOTE:** It is very important you use the proper hardware when installing the mounting bracket (C) as this will support the fan.

IMPORTANT: If using the angle mount, make sure open end of mounting bracket (C) is installed facing the higher point of the ceiling.

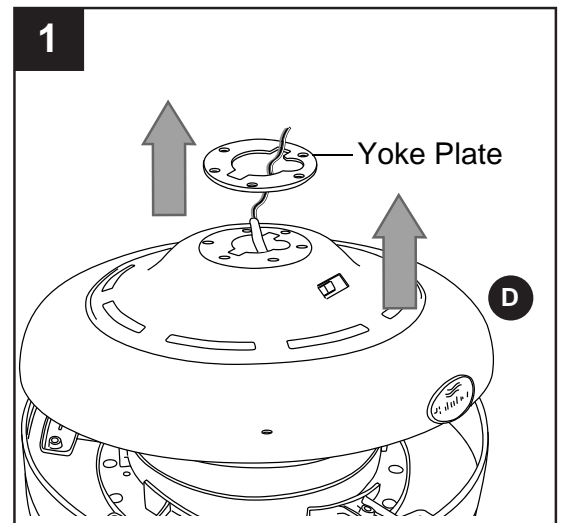


5. Remove motor screws (I) and lock washers (K) from top of motor housing (D); save motor screws (I) and lock washers (K) for later use.



FAN MOUNTING

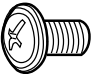
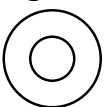
1. Lift the preassembled yoke plate and the top of motor housing (D) from motor and set aside.

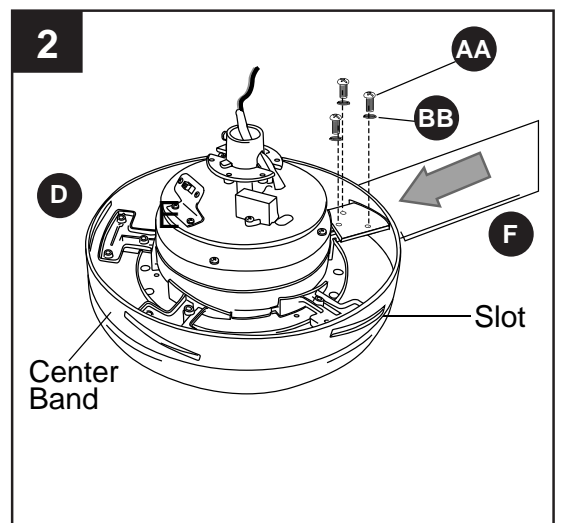


2. Insert the blade (F) through the slot on the band on the motor housing (D). Align holes in blade (F) with holes inside motor. Partially insert three blade screws (AA), along with three fiber blade washers (BB), to attach blade (F) to motor. Then tighten each blade screw (AA), starting with the one in the middle. Repeat procedure for remaining blades (F).

Time Saver: Fiber blade washers (BB) can be set on each blade screw (AA) prior to installing blades (F).

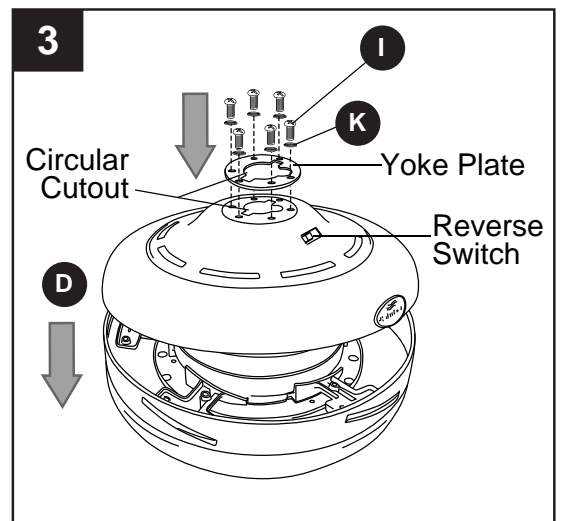
Hardware Used

AA	Blade Screw		x 15
BB	Fiber Blade Washer		x 15



3. Replace top of motor housing (D) and yoke plate and secure with motor screws (I) and lock washers (K) that were previously removed (Step 5, page 7).

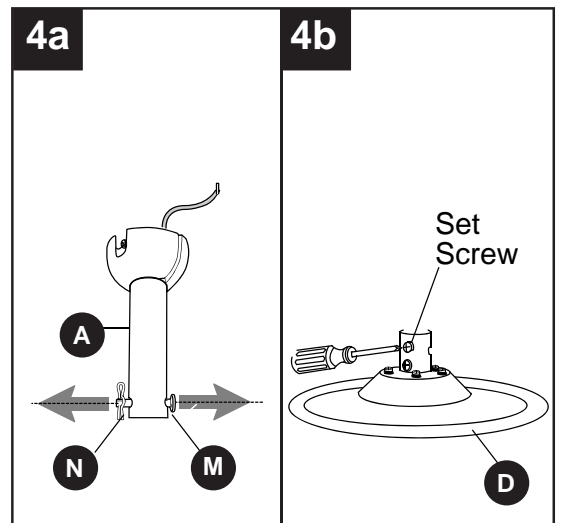
IMPORTANT: Circular cutout on motor housing (D) and yoke plate should line up over electrical wiring and the opening for the reverse switch should line up with the reverse switch.



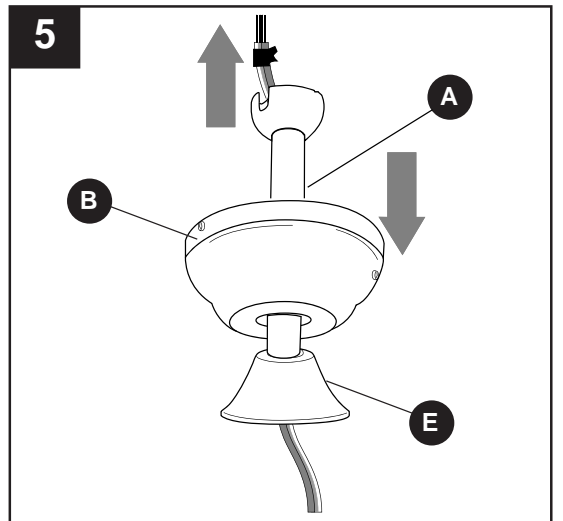
FAN MOUNTING

- 4a. Remove pin (M) and clip (N) from downrod (A).
- 4b. Partially loosen preassembled set screws in motor housing yoke on top of motor housing (D).

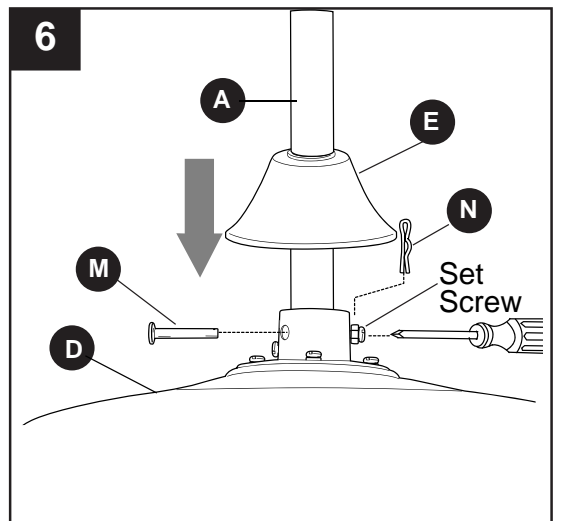
***Helpful Hint:** Downrod-style mounting is best suited for ceilings 8 ft. high or higher. For taller ceilings you may want to use a longer downrod (not included). Angle-style mounting is best suited for angled or vaulted ceilings. A longer downrod is sometimes necessary to ensure proper blade clearance.



5. Insert downrod (A) through canopy (B) and yoke cover (E). Thread wires from motor housing (D) through downrod (A).



6. Slip downrod (A) into motor housing yoke, align holes and re-install pin (M) and clip (N). Tighten set screws in motor housing yoke and then tighten preassembled nuts on the set screws. Slide yoke cover (E) down until it rests on top of motor housing (D).

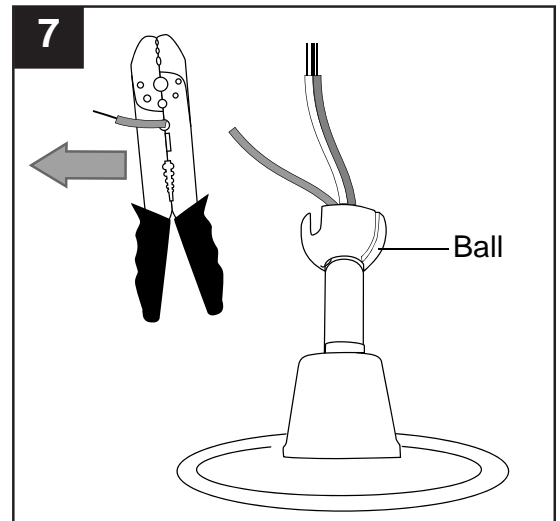


FAN MOUNTING

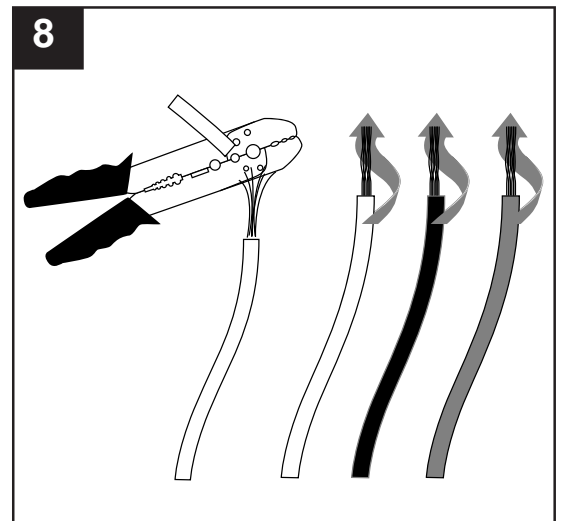
- Depending on the length of downrod you use, you may need to cut the lead wires back to simplify the wiring. If you decide to cut back the lead wires, it is suggested you do so in the following manner:

Take the lead wires and make sure you have pulled them all the way through the top of the downrod. Start at the TOP of the ball on the downrod and measure 8 in. of lead wire, and then cut the excess wire off with wire cutters (not included).

NOTE: If you do *not* cut back the lead wires, **Steps 7 and 8 are not necessary and you may proceed to Step 9 instead.**

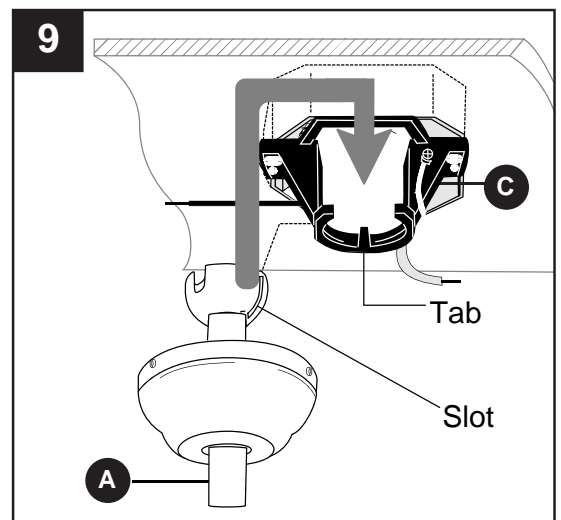


- If you decided to cut back the lead wires in Step 7, strip 1/2 in. of insulation from end of white wire. Twist stripped ends of each strand of wire within the insulation with pliers (not included). Repeat Step 8 for black, blue (if applicable) and green wires.



- Install ball end of downrod (A) into opening of mounting bracket (C). Align slot in ball with tab in mounting bracket (C).

⚠ DANGER: Failure to align slot in ball with tab may result in serious injury or death.



WIRING

2. Wrap electrical tape (not included) around each individual wire connector (CC) down to the wire.

⚠ WARNING: Make sure no bare wire or wire strands are visible after making connections. Place green and white connections on opposite side of box from the black and blue (if applicable) connections.

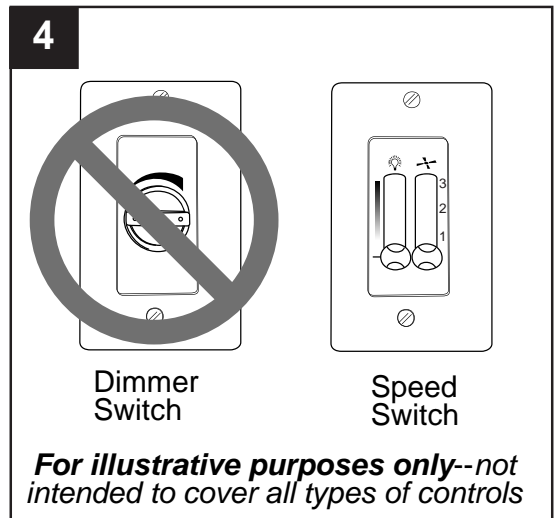
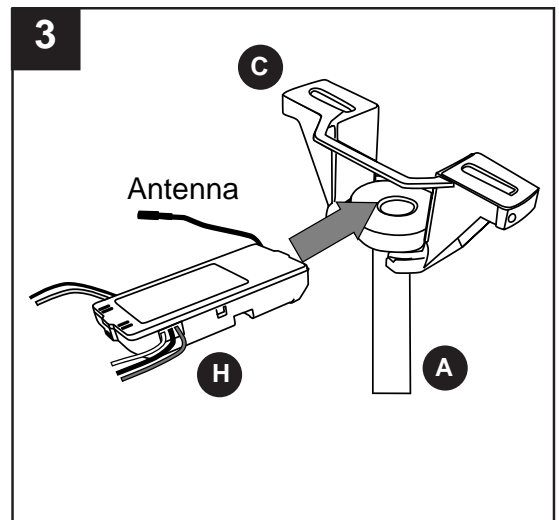
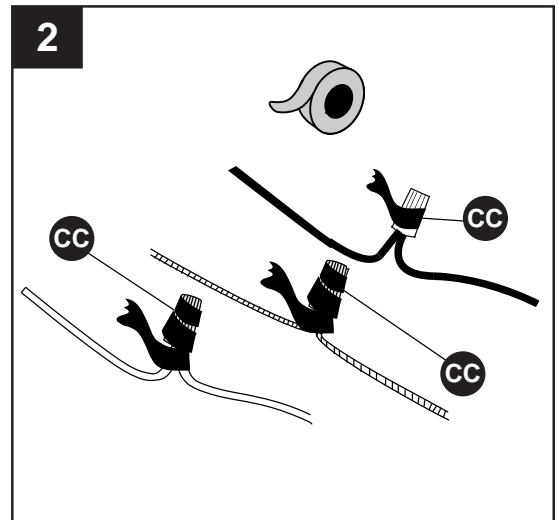
3. Gently slide remote control receiver (H) flat-side up into mounting bracket (C). Turn spliced/taped wires upward and gently push wires and wire connectors (AA) into outlet box. Let antenna from remote control receiver (H) hang to the side.

NOTE: The remote control included with this fan meets the following requirements:

- a. Not for use with solid state fans.
- b. Electrical rating: 120V / 60 Hz;
motor amps: 1.25 MAX.;
light watts: 300
(Incandescent only)

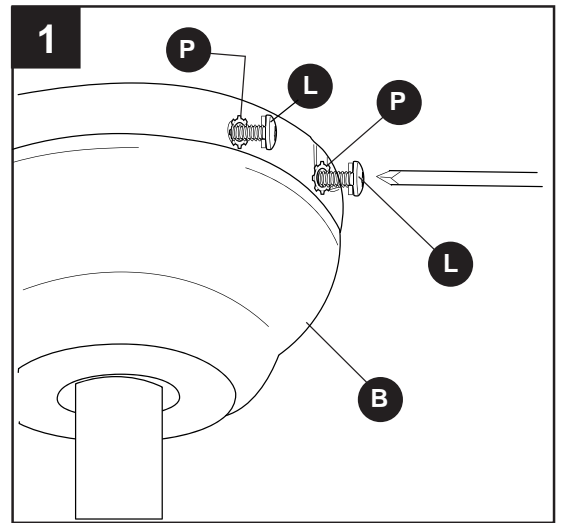
Should you choose to use a different remote control with this fan, it must also meet these same requirements.

4. **IMPORTANT:** Using a full range dimmer switch (not included) to control fan speed will cause a loud humming noise from fan. To reduce the risk of fire or electrical shock, do NOT use a full range dimmer switch to control fan speed.



FINAL INSTALLATION

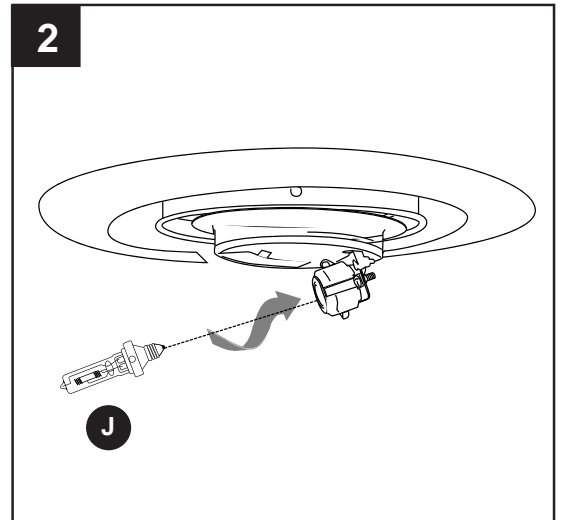
1. Lift canopy (B) to mounting bracket (C) and align slotted holes in canopy (B) with loosened canopy mounting screws (L) in mounting bracket (C). Twist canopy (B) to lock, then insert the two canopy mounting screws (L) and star washers (P) previously removed (Step 4a, page 7). Tighten all canopy mounting screws (L) securely.



2. Install bulb (J).

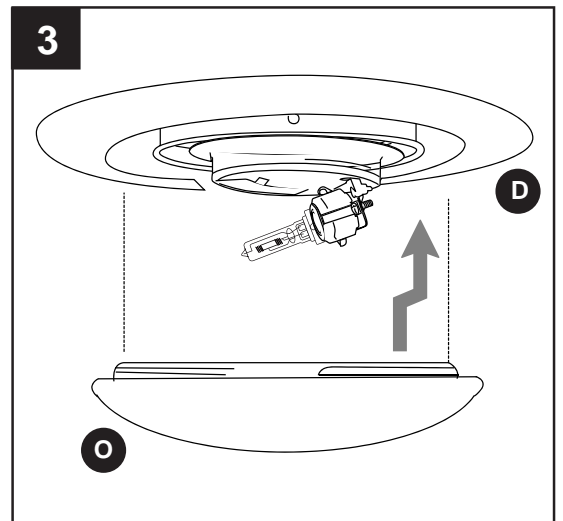
Tip: Do not touch glass portion of bulb (J) with fingers or hands. Oil from skin can cause bulb (J) to overheat and go out prematurely. Use cardboard box or foam wrapping bulb (J) was packed with to layer around glass portion of bulb (J).

IMPORTANT: When replacing bulb, allow bulb and glass shade to cool down before touching. Keep in mind not to touch the bulb itself as described above.



3. Align openings in grooves of glass shade (O) with nodules on underside of motor housing (D). Turn glass shade (O) clockwise until it no longer turns.

Pull down very gently on glass shade (O) to ensure it is securely attached.



AUTOMATED LEARNING PROCESS/ACTIVATING CODE

⚠ CAUTION: The remote control transmitter (G) can be programmed to multiple receivers or fans. If this is **not** desired, turn wall switch off to any other programmable receiver or fan.

1. Remove battery cover from back of remote control transmitter (G).

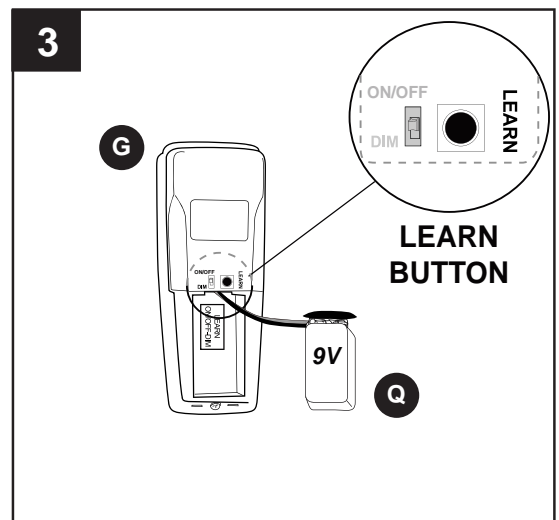
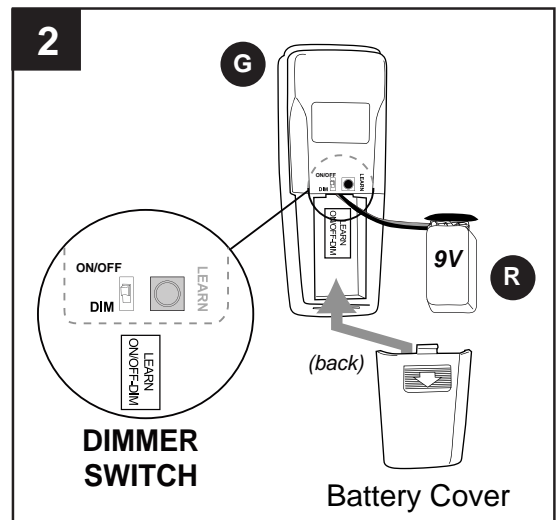
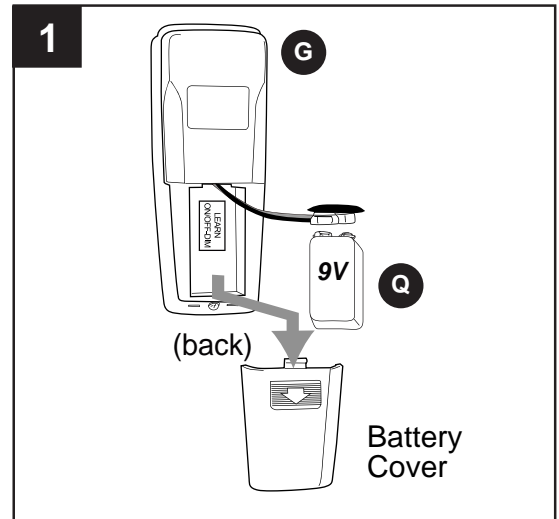
Locate battery (Q) in hardware pack, then remove plastic wrap from battery (Q). Install battery (Q) but leave battery (Q) **outside** of battery compartment until learning process is complete.

2. Locate dimmer switch on left-hand side at top of battery compartment. Dimmer switch has been pre-set to the “ON” position (DIM). [Note: If you prefer **not** to have dimming capability, set the dimmer switch to the “OFF” position (ON/OFF)].

Place battery (Q) in battery compartment and then replace battery cover on back of remote control transmitter (G).

3. Restore electrical power. Within 30 seconds of restoring electrical power, press the “LEARN” button, located on right-hand side at top of battery compartment, for 3 seconds or until fan switches to MEDIUM speed. Use the remote control transmitter (G) to test the light and fan functions (see Operating Instructions for Remote Control and Fan on page 15) to confirm the learning process is complete.

IMPORTANT: To prevent damage to remote control transmitter (G), remove the battery (Q) if not used for long periods. Store the remote control transmitter (G) away from excess heat.



AUTOMATED LEARNING PROCESS/ACTIVATING CODE

Modifications not approved by the party responsible for compliance could void the user's authority to operate the equipment.

***NOTE:** This equipment has been tested and found to comply with the limits for a Class B digital device, pursuant to Part 15 of the FCC Rules. These limits are designed to provide reasonable protection against harmful interference in a residential installation. This equipment generates, uses and can radiate radio frequency energy and, if not installed and used in accordance with the instructions, may cause harmful interference to radio communications. However, there is no guarantee that interference will not occur in a particular installation. If this equipment does cause harmful interference to radio or television reception, which can be determined by turning the equipment off and on, the user is encouraged to try to correct the interference by one or more of the following measures:



- * Reorient or relocate the receiving antenna.
- * Increase the separation between the equipment and receiver.
- * Connect the equipment into an outlet on a circuit different from that to which the receiver is connected.

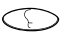
Consult the dealer or an experienced radio/TV technician for help.


OPERATING INSTRUCTIONS

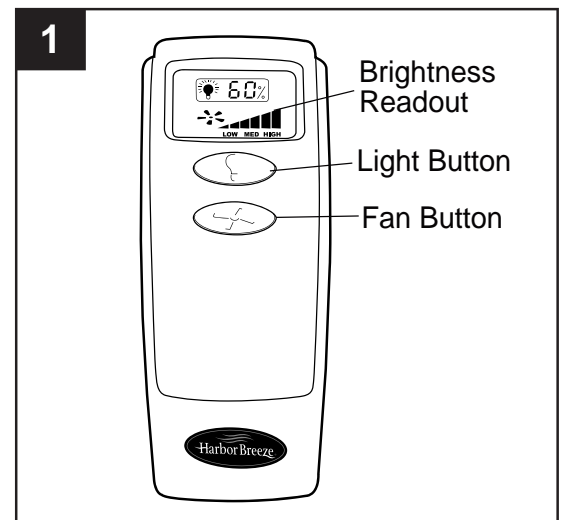
1. Operation buttons on the panel of the remote control transmitter (G):

FAN  For fan SPEED and to turn fan OFF

Pressing the  button cycles the fan from HIGH to MEDIUM to LOW and then OFF. Liquid crystal display shows each function as  button is pressed.

LIGHT  For light BRIGHTNESS and to turn light OFF

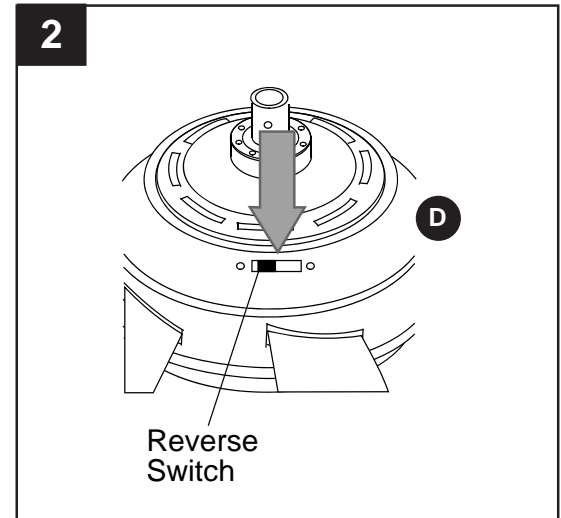
Hold  button down to increase or decrease light; brightness shows as a percentage on display. Tap button quickly to turn light on or off. If you press and hold the button in excess of 0.7 seconds, it becomes a dimmer. (See Step 2 on page 14 regarding dimmer switch.) The light varies cyclically in 0.8 seconds. The light button has an auto resume function, which keeps the light at the same brightness as the last time it was turned off.



OPERATING INSTRUCTIONS

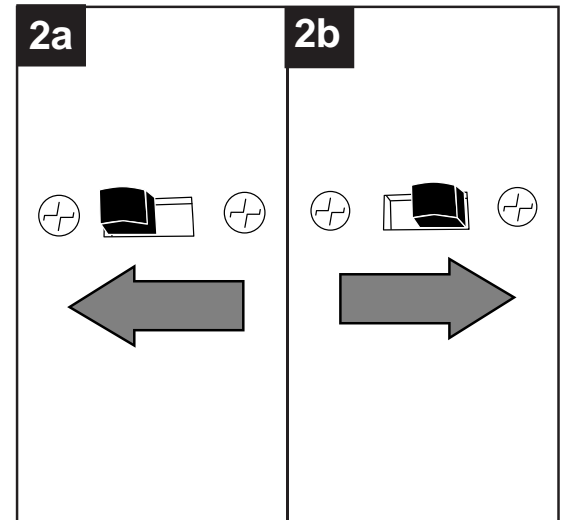
- Use the fan reverse switch, located on top of the motor housing (D), to optimize the fan for seasonal performance. A ceiling fan will allow you to raise your thermostat setting in summer and lower your thermostat setting in winter without feeling a difference in your comfort.

NOTE: Wait for fan to stop before moving the reverse switch.

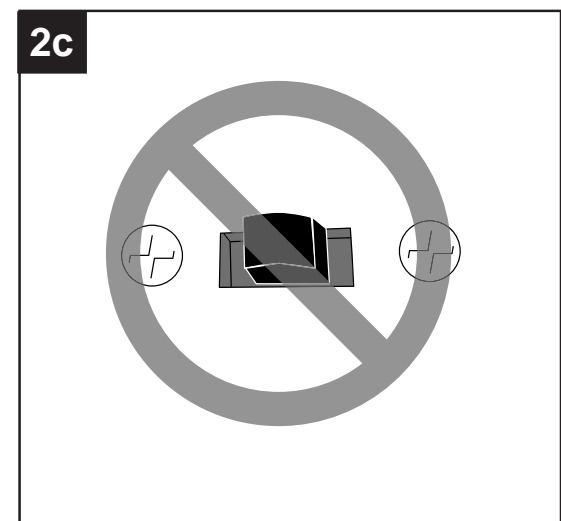


2a. In **warmer** weather, setting the reverse switch in the *LEFT* position will result in downward airflow creating a wind chill effect.

2b. In **cooler** weather, setting the reverse switch in the *RIGHT* position will result in upward airflow that can help move stagnant, hot air off the ceiling area.



2c. **IMPORTANT:** Reverse switch must be set either **completely LEFT** or **completely RIGHT** for fan to function. If the reverse switch is set in the *middle* position, fan will not operate.



CARE AND MAINTENANCE

At least twice each year, lower canopy (B) to check downrod (A) assembly, and then tighten all screws on the fan. Clean motor housing (D) with only a soft brush or lint-free cloth to avoid scratching the finish. Clean blades (F) with a lint-free cloth. You may occasionally apply a light coat of furniture polish to wood blades for added protection.

IMPORTANT: Shut off main power supply before beginning any maintenance. Do not use water or a damp cloth to clean the ceiling fan.

Bulb Replacement: Use 100-watt max. halogen bulb, type JD E11.

TROUBLESHOOTING

⚠ WARNING: Before beginning work, shut off the power supply to avoid electrical shock.

PROBLEM	POSSIBLE CAUSE	CORRECTIVE ACTION
Fan does not move.	<ol style="list-style-type: none"> Reverse switch not engaged. Power is off or fuse is blown. Faulty wire connection. 	<ol style="list-style-type: none"> Push switch firmly either left or right. Turn power on or check fuse. Turn power off. Loosen canopy and check all connections.
Noisy operation.	<ol style="list-style-type: none"> Blades are loose. Cracked blade. Full range dimmer switch. Fan is new. 	<ol style="list-style-type: none"> Tighten all blade screws. Replace blade. Replace with an approved speed control device. Allow fan a “break in” period of a few days, especially when running the fan at Medium and High speeds.
Excessive wobbling.	<ol style="list-style-type: none"> Blades are loose. Unbalanced blades. Fan not securely mounted. Fan too close to vaulted ceiling. Set screw(s) on motor housing yoke is (are) not tightened properly. Set screw on hanging ball is not tightened properly. 	<ol style="list-style-type: none"> Tighten all blade screws. Switch one blade with a blade from the opposite side. Turn power off. Carefully loosen canopy and verify that mounting bracket is secure. Use a longer downrod or move fan to another location. Tighten yoke set screw(s) securely. Carefully loosen and lower canopy and verify that set screw on hanging ball is tightened securely.



TROUBLESHOOTING

PROBLEM	POSSIBLE CAUSE	CORRECTIVE ACTION
Fan operates but light fails (if applicable).	<ol style="list-style-type: none">1. Bulb not installed correctly.2. Wires in canopy not wired properly.3. Wall switch to fan is off.4. Light kit is lamped with more than the allowable 190W, causing the wattage limiting device to interrupt the flow of electricity to the light kit.	<ol style="list-style-type: none">1. Re-install bulb.2. Check wires in canopy and, if necessary, re-wire according to instructions on pages 11 and 12.3. Make sure that wall switch to fan is on.4. Lamp light kit with bulb that totals no more than 190W.

NOTE: A small amount of "wobble" is normal and should not be considered a defect.

LIMITED LIFETIME WARRANTY

The distributor warrants this fan to be free from defects in workmanship and materials present at time of shipment from the factory for Lifetime limited from the date of purchase. This warranty applies only to the original purchaser. The distributor agrees to correct any defect at no charge or, at our option, replace the ceiling fan with a comparable or superior model.

To obtain warranty service, present a copy of your sales receipt as proof of purchase. All cost of removal and reinstallation are the express responsibility of the purchaser. Any damage to the ceiling fan by accident, misuse or improper installation, or by using parts not produced by the manufacturer of this fan or affixing accessories not produced by the manufacturer of this fan, are the purchaser's own responsibility. The distributor assumes no responsibility whatsoever for fan installation during the limited lifetime warranty. Any service performed by an unauthorized person will render the warranty invalid.

Due to varying climatic conditions, this warranty does not cover changes in brass finish, rusting, pitting, tarnishing, corroding or peeling. Brass finish fans maintain their beauty when protected from varying weather conditions. Any glass provided with this fan is not covered by the warranty.

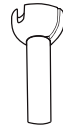
Any replacement of defective parts for the ceiling fan must be reported within the first year from the date of purchase. For the balance of the warranty, call our customer service department (at **1-800-643-0067**) for return authorization and shipping instructions so that we may repair or replace the ceiling fan. Any fan or parts returned improperly packaged is/are the sole responsibility of the purchaser. There is no further express warranty. The distributor disclaims any and all implied warranties. The duration of any implied warranty which cannot be disclaimed is limited to the limited lifetime period as specified in our warranty. The distributor shall not be liable for incidental, consequential or special damages arising at or in connection with product use or performance except as may otherwise be accorded by law. This warranty gives you specific legal rights and you may also have other rights which vary from state to state. This warranty supersedes all prior warranties.



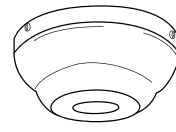
REPLACEMENT PARTS LIST

For replacement parts, call our customer service department at **1-800-643-0067**, 8 a.m. - 6 p.m., EST, Monday - Thursday, 8 a.m. - 5 p.m., EST, Friday.

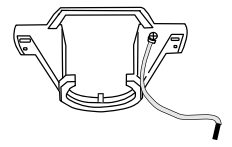
PART	DESCRIPTION	PARTS#
A	Downrod	276094-A
B	Canopy	276094-B
C	Mounting Bracket	276094-C
E	Yoke Cover	276094-E
F	Blade	276094-F
I	Motor Screw	276094-I
K	Lock Washer	276094-K
L	Canopy Mounting Screw	276094-L
M	Pin	276094-M
N	Clip	276094-N
O	Glass Shade	276094-O
P	Star Washer	276094-P
AA	Blade Screw	276094-AA
BB	Fiber Blade Washer	276094-BB
CC	E3 Wire Connector	276094-CC



A



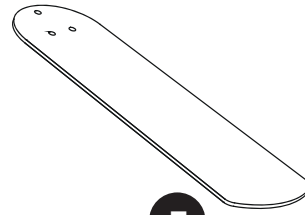
B



C



E



F



I



K



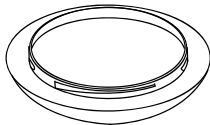
L



M



N



O



P



AA



BB



CC

Printed in China

Harbor Breeze® is a registered trademark of LF, LLC. All Rights Reserved.



Lowes.com/harborbreeze