



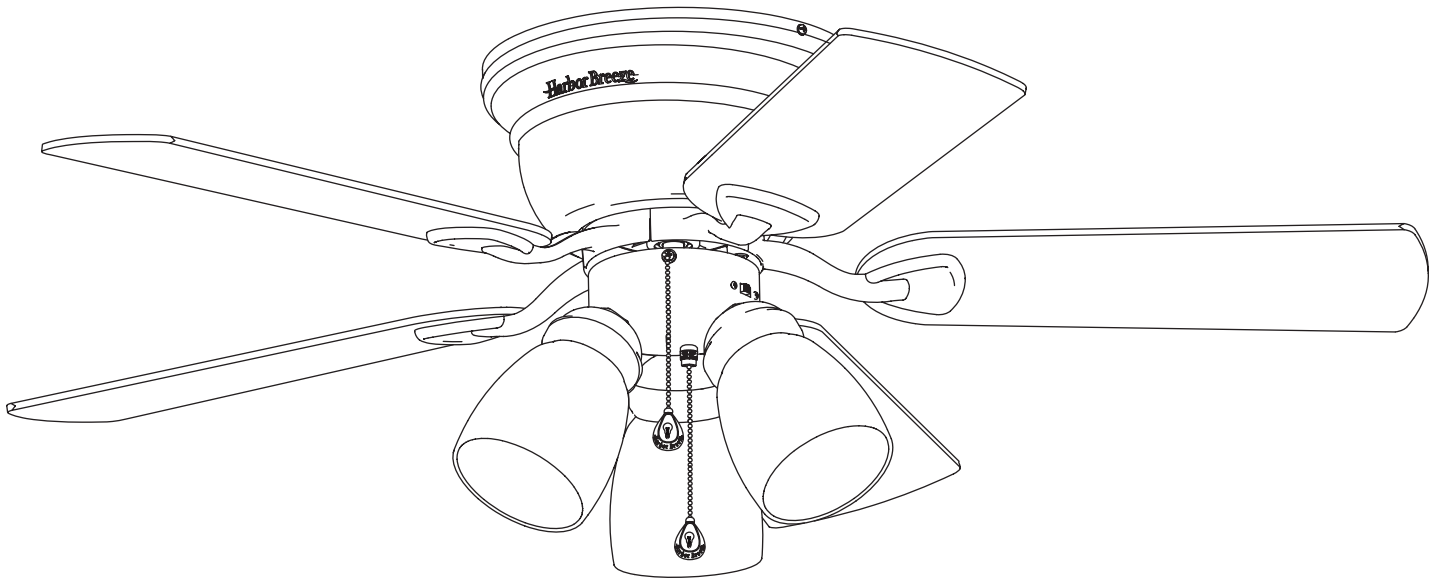
ITEM #0403515, 0403516, 0403514

42 IN. CENTREVILLE CEILING FAN

MODEL #40109, 40110, 40111

Harbor Breeze® is a registered trademark of LF, LLC. All Rights Reserved.

Español p. 24



ATTACH YOUR RECEIPT HERE

Serial Number _____ Purchase Date _____



Questions, problems, missing parts? Before returning to your retailer, call our customer service department at 1-800-643-0067, 8 a.m. - 6 p.m., EST, Monday - Thursday, 8 a.m. - 5 p.m., EST, Friday.



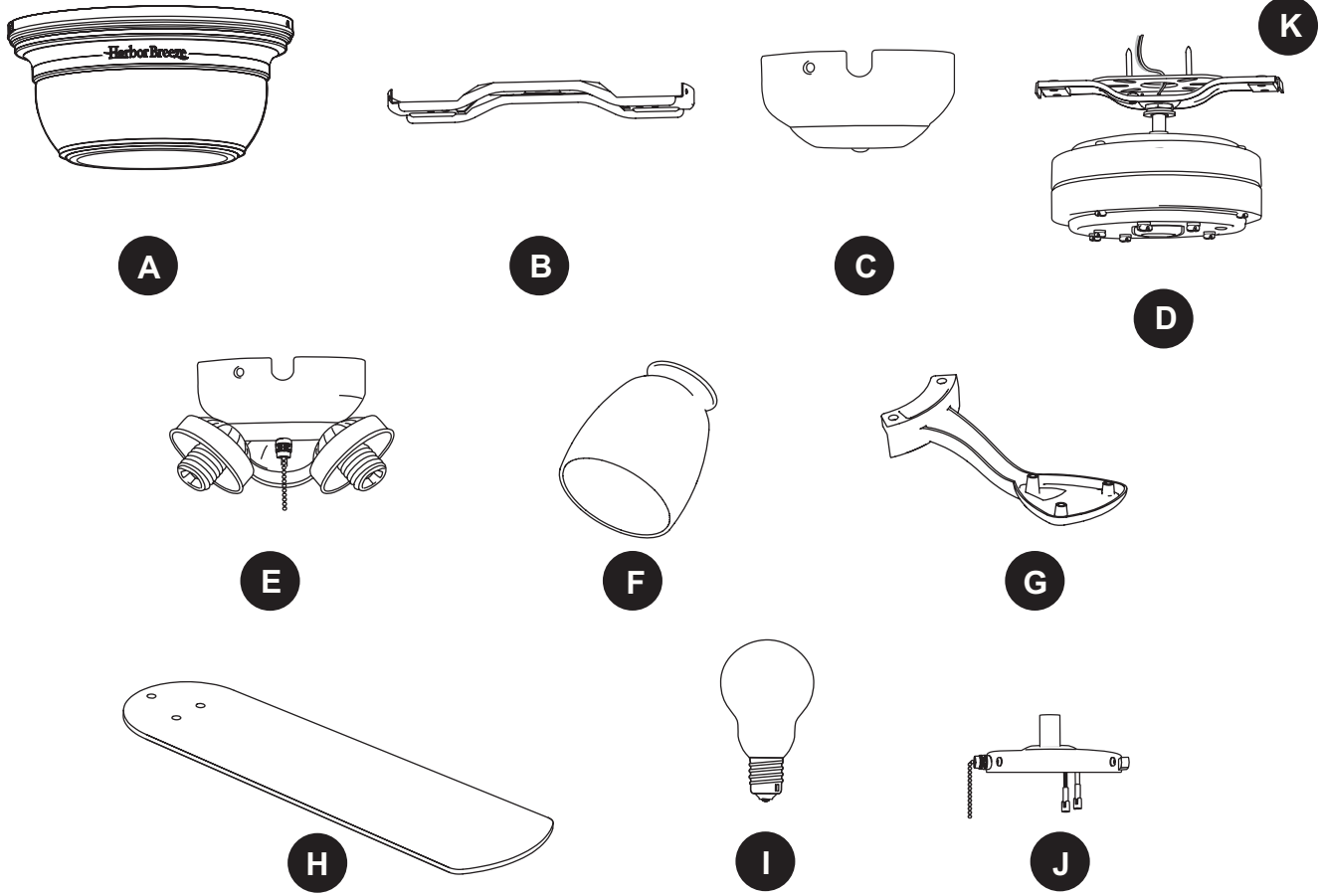
Lowes.com/harborbreeze

TABLE OF CONTENTS

Package Contents	3
Hardware Contents	4
Safety Information	5
Preparation	6
Initial Installation	7
Wiring	10
Final Installation.	13
Using the Fan With No Light Kit Option.	17
Operating Instructions	18
Care and Maintenance	19
Troubleshooting.	20
Warranty	22
Replacement Parts List	23



PACKAGE CONTENTS



PART	DESCRIPTION	QTY
A	Motor Housing	1
B	Upper Mounting Bracket	1
C	Extra Switch Housing	1
D	Motor Assembly	1
E	Light Kit Fitter	1
F	Twist-On Glass Shade	3
G	Blade Arm	5
H	Blade	5
I	Bulb	3
J	Switch Housing Plate (preassembled to Motor Assembly (D))	1
K	Lower Mounting Bracket (preassembled to Motor Assembly (D))	1

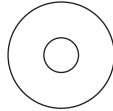
HARDWARE CONTENTS

AA



Blade Screw
Qty. 15 + 1 extra

BB



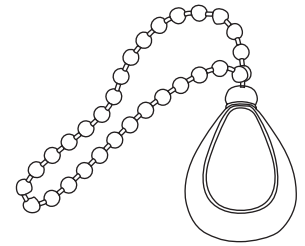
Fiber Blade Washer
Qty. 15 + 1 extra

CC



Wire Connector
Qty. 4

DD



Pull Chain Extension
Qty. 2

EE



Motor Screw
Qty. 10 + 1 extra
(preassembled to
Motor Housing (A))

FF



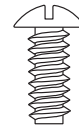
Motor Housing
Mounting Screw
Qty. 4
(preassembled to
Mounting Bracket (B))

GG



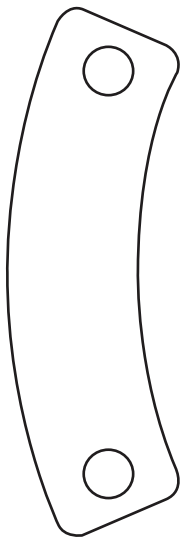
Light Kit Screw
Qty. 3
(preassembled to
Switch Housing
Plate (J))

HH



Bracket Screw
Qty. 4
(preassembled to
Lower
Mounting Bracket (K))

II



Blade Isolator
Qty. 5



SAFETY INFORMATION

Please read and understand this entire manual before attempting to assemble, operate, or install the product.

- Before you begin installing the fan, disconnect the power by removing fuses or turning off the circuit breakers.
- Make sure that all electrical connections comply with local codes, ordinances, the National Electrical Code, and ANSI/NFPA 70-199. Hire a qualified electrician or consult a do-it-yourself wiring handbook if you are unfamiliar with installing electrical wiring.
- Make sure the installation site you choose allows a minimum clearance of 7 ft. from the blades to the floor and at least 30 in. from the end of the blades to any obstruction.
- The net weight of this fan is: 13.45 lbs. (6.1 kg).

Do not discard the fan carton or foam inserts. Should this fan need to be returned to the factory for repairs, it must be shipped in its original packaging to ensure proper protection against damage that might exceed the initial cause for return.



DANGER: When using an existing outlet box, make sure the outlet box is securely attached to the building structure and can support the full weight of the fan. Failure to do this can result in serious injury or death. The stability of the outlet box is essential in minimizing wobble and noise in the fan after installation is complete.



WARNING: To avoid personal injury, the use of gloves may be necessary while handling fan parts with sharp edges.



WARNING: Using a full-range dimmer switch to control fan speed will cause a loud humming noise from the fan. To reduce the risk of fire or electric shock, do NOT use a full-range dimmer switch to control the fan speed.



WARNING: To reduce the risk of fire, electric shock, or personal injury, mount the fan to an outlet box marked “ACCEPTABLE FOR FAN SUPPORT” and use the mounting screws provided with the outlet box. Most outlet boxes commonly used for the support of lighting fixtures are not acceptable for fan support and may need to be replaced. Consult a qualified electrician if in doubt. Secure the outlet box directly to the building structure. The outlet box and its support must be able to support the moving weight of the fan (at least 35 lbs.). Do NOT use a plastic outlet box.



WARNING: To reduce the risk of fire, electrical shock, or personal injury, wire connectors provided with this fan are designed to accept only one 12-gauge house wire and two lead wires from the fan. If your house wire is larger than 12 gauges or there is more than one house wire to connect to the two fan lead wires, consult an electrician for the proper size wire connectors to use.



WARNING: To reduce the risk of fire or electric shock, do not use the fan with any solid-state speed-control device or control the fan speed with a full-range dimmer switch.



WARNING: To reduce the risk of fire, electric shock, or personal injury, do not bend the blade arms when installing them, balancing the blades, or cleaning the fan. Do not insert objects between the rotating fan blades.



WARNING: To reduce the risk of personal injury, use only parts provided with this fan. The use of parts OTHER than those provided with this fan will void the warranty.



SAFETY INFORMATION

CAUTION: Read all instructions and safety information before installing your new fan. Review the accompanying assembly diagrams.

CAUTION: Be sure the outlet box is properly grounded or that a ground (green or bare) wire is present.

CAUTION: Carefully check all screws, bolts, and nuts on the fan motor assembly to ensure that they are secured.

PREPARATION

Before beginning the assembly of this product, ensure that all parts are present. Compare all parts with the package contents list and hardware contents list. If any part is missing or damaged, do not attempt to assemble the product.

After opening the top of the carton, remove the mounting hardware package from the foam inserts, then remove the motor from the packaging and place it on a soft surface, such as a carpet, to avoid damage to the finish.

Estimated Assembly Time: 120 minutes

Tools Required for Assembly (not included): Electrical Tape, Phillips Screwdriver, Pliers, Safety Glasses, Step Ladder, and Wire Strippers

Helpful Tools (not included): AC Tester Light, Tape Measure, Wiring Handbook, and Wire Cutters



INITIAL INSTALLATION

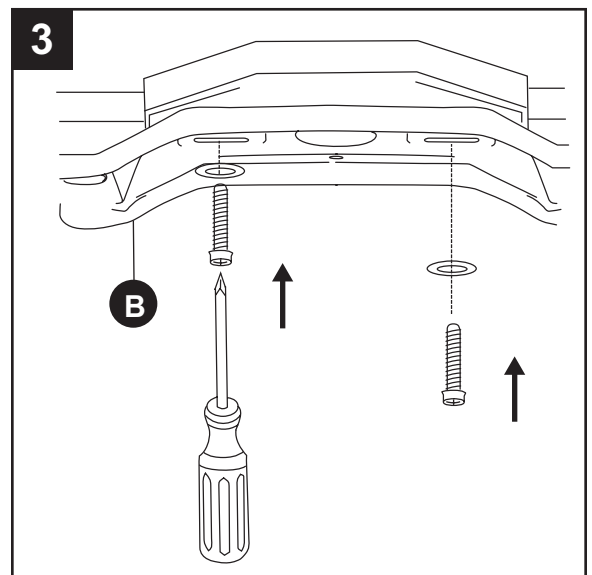
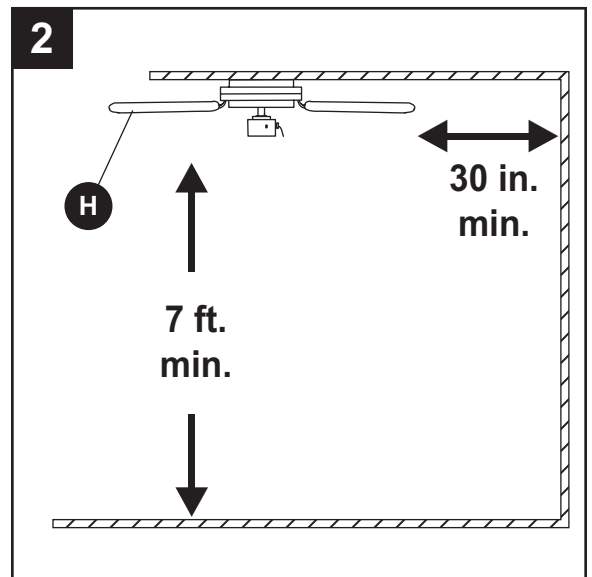
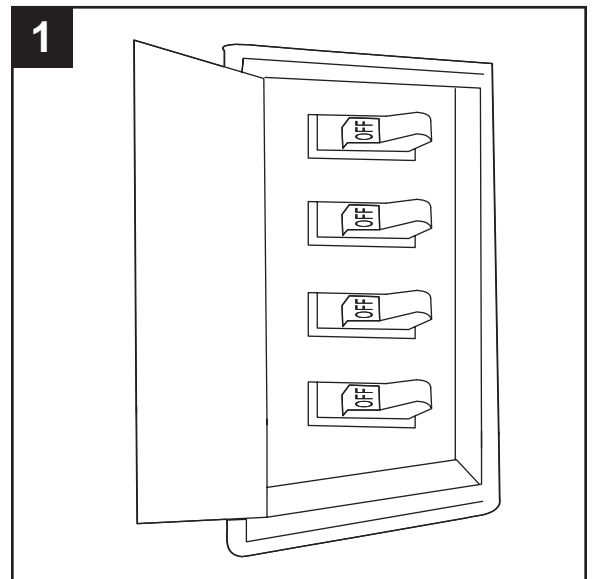
1. Turn off the circuit breakers and the wall switch to the fan supply line leads.

⚠ DANGER: Failure to disconnect the power supply prior to installation may result in serious injury or death.

2. Check to make sure the blades (H) are at least 30 in. from any obstruction and at least 7 ft. above the floor.

3. Secure the upper mounting bracket (B) to the outlet box using screws, spring washers, and flat washers provided with the outlet box (not included).

Note: It is very important that you use the proper hardware when installing the mounting bracket (B) as this will support the fan.

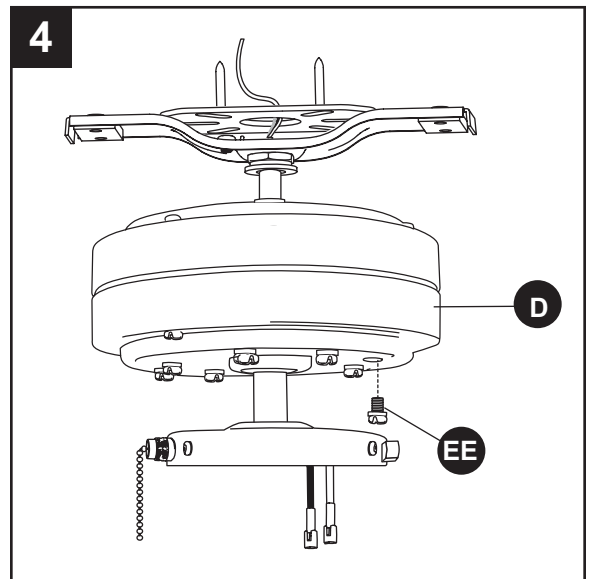


INITIAL INSTALLATION

4. Remove the motor screws (EE) from the motor (D) and save for later use. If there are plastic motor blocks installed, remove and discard them.

Hardware Used

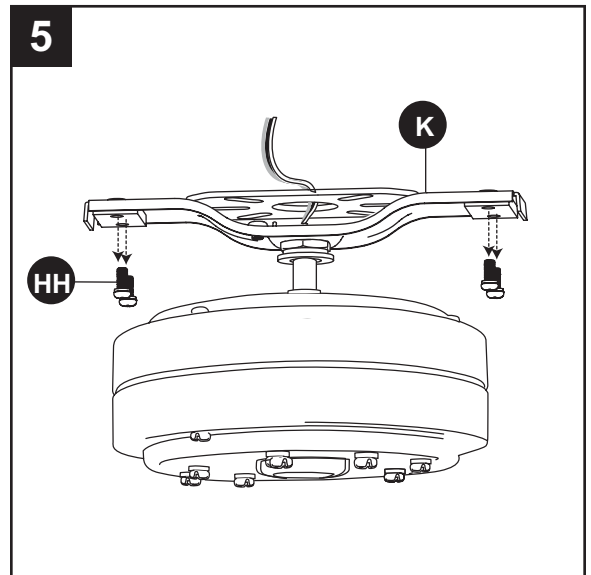
EE Motor Screw  x 10



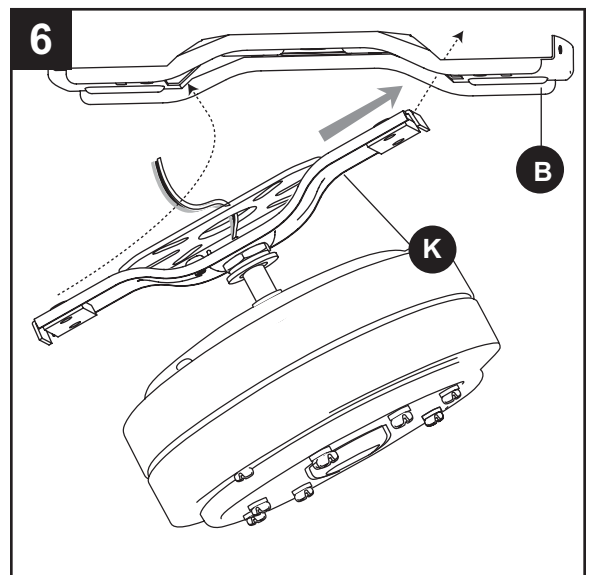
5. Remove the bracket screws (HH) from underneath the lower mounting bracket (K).

Hardware Used

HH Bracket Screw  x 4



6. Place a tab on the lower mounting bracket (K) into a slot in the upper mounting bracket (B). Then slide the second lower mounting bracket (K) tab into the second slot on the upper mounting bracket (B) until all four holes are in alignment.

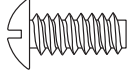


INITIAL INSTALLATION

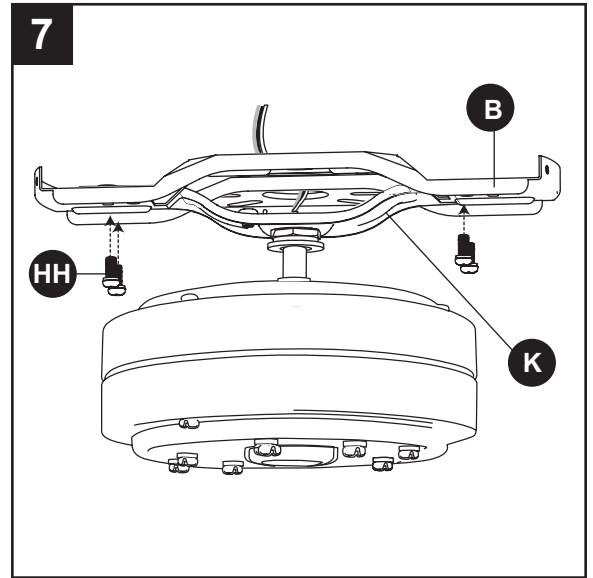
7. Reinstall the previously-removed bracket screws (HH) underneath the lower mounting bracket (K) and into the upper mounting bracket (B). Securely tighten the screws.

Hardware Used

HH Bracket Screw



x 4



WIRING

⚠ WARNING: To reduce the risk of fire, electrical shock, or personal injury, wire connectors provided with this fan are designed to accept only one 12-gauge house wire and two lead wires from the fan. If your house wire is larger than 12 gauges and there is more than one house wire to connect to the two fan lead wires, consult an electrician for the proper size wire connectors to use.

⚠ WARNING: If the house wires are different colors than referred to in the following step, stop immediately. A professional electrician is recommended to determine the correct wiring scheme.

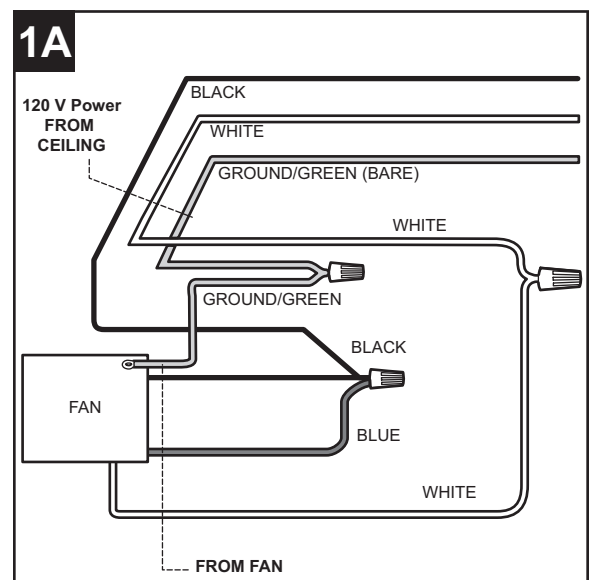
CAUTION: Be sure the outlet box is properly grounded or that a Ground (Green or Bare) wire is present. Choose a wiring diagram from the three choices below that fits your situation and make the appropriate wiring connections as follows:

1A. FAN AND LIGHT CONTROLLED BY PULL

CHAINS: Connect the Black and Blue wires from the fan to the Black wire from the ceiling. Connect the White wire from the fan to the White wire from the ceiling. Connect all Ground (Green) wires together from the fan to the Bare/Green wire from the ceiling. Secure all wiring connections together with wire connectors (CC).

Hardware Used

CC Wire Connector  x 4

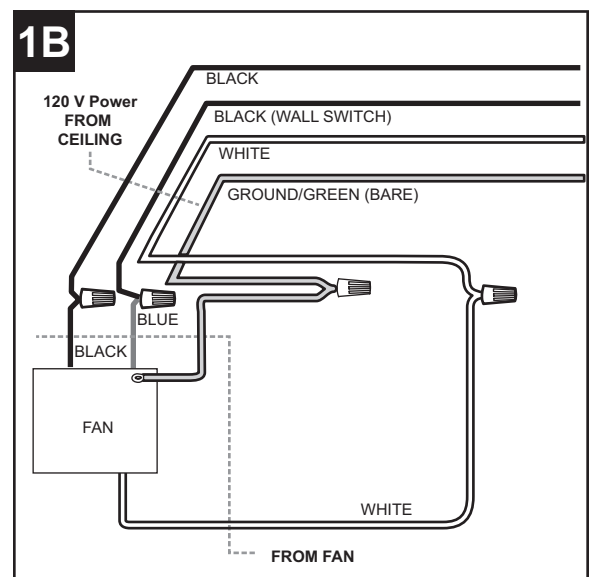


1B. FAN CONTROLLED BY PULL CHAIN, LIGHT BY

WALL SWITCH: To control the fan by pull chains and the light with a separate wall switch, connect the Black wire from the fan to the Black wire from the ceiling. Connect the Blue wire from the fan to the Black wire from the wall switch for the light. Connect the White wire from the fan to the White wire from the ceiling. Connect all Ground (Green) wires together from the fan to the Bare/Green wire from the ceiling. Secure all wiring connections together with wire connectors (CC).

Hardware Used

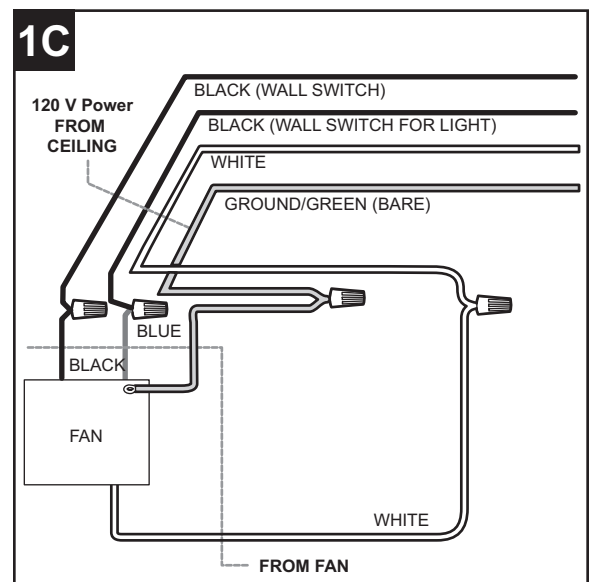
CC Wire Connector  x 4



WIRING

1C. FAN AND LIGHT CONTROLLED BY TWO WALL SWITCHES: To control the fan and light with separate wall switches, connect the Black wire from the fan to the Black wire from the wall switch for the fan. Connect the Blue wire from the fan to the Black wire from the wall switch for the light. Connect the White wire from the fan to the White wire from the ceiling. Connect all Ground (Green) wires together from the fan to the Bare/Green wire from the ceiling. Secure all wiring connections together with wire connectors (CC).

Note: The Black wire is hot power for the fan. The Blue wire is hot power for the light kit. The White wire is common for the fan and light kit. The Green (Bare) wire is ground.



Hardware Used

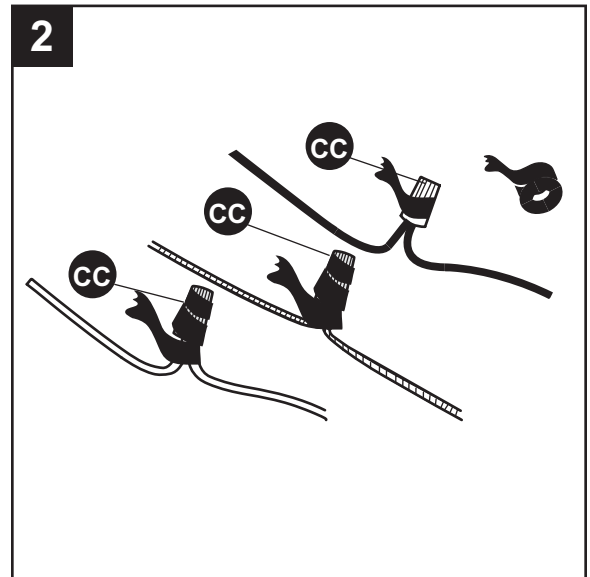


Wire Connector



x 4

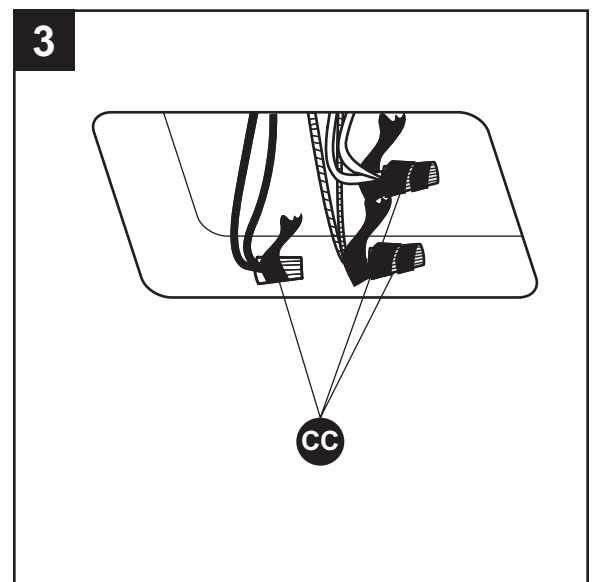
2. Wrap electrical tape (not included) around each individual wire connector (CC) down to the wire.



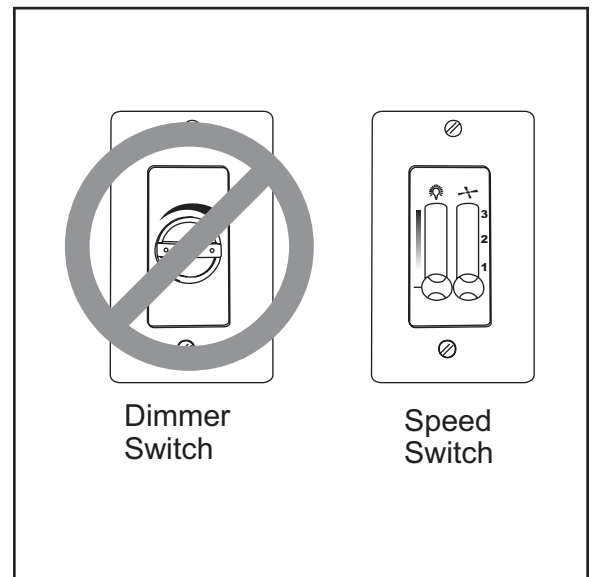
WIRING

3. Turn the spliced/taped wires upward and gently push the wires and wire connectors (CC) into the outlet box.

⚠ WARNING: Ensure that no bare wire or wire strands are visible after making connections. Place the Green and White wire connections on opposite sides of the outlet box from the Black and Blue (if applicable) wire connections.



Important: Using a full range dimmer switch (not included) to control fan speed will cause a loud humming noise from the fan. To reduce the risk of fire or electrical shock, do not use a full range dimmer switch to control fan speed.



FINAL INSTALLATION

1. Temporarily lift the motor housing (A) to the mounting bracket (B) to determine which two motor housing mounting screws (FF) in the sides of the mounting bracket (B) align with the slotted holes in the top edge of the motor housing (A). Partially loosen the two motor housing mounting screws (FF) that align with the slotted holes. Remove the other two motor housing mounting screws (FF) from opposite sides of the mounting bracket (B).

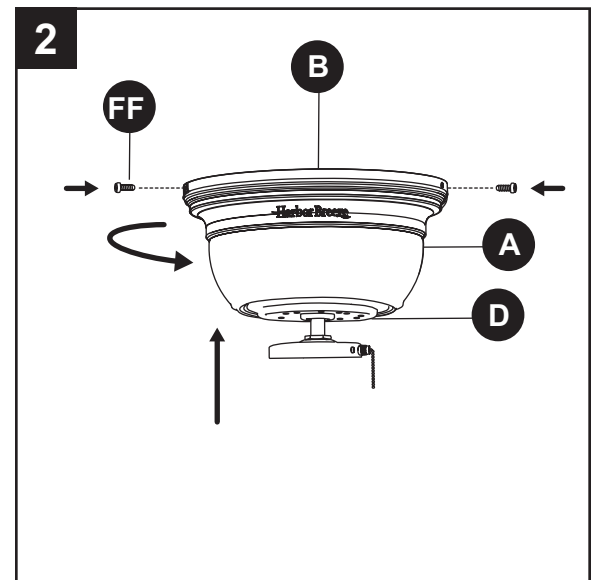
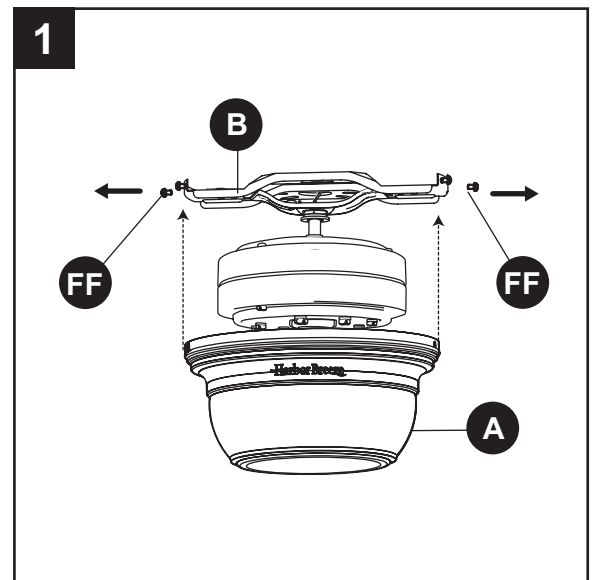
Hardware Used

FF Motor Housing Mounting Screw  x 4

2. Slide the motor housing (A) over the motor assembly (D), aligning the slotted holes in the motor housing (A) with the loosened motor housing mounting screws (FF) in the mounting bracket (B). Twist the motor housing (A) to lock. Then re-insert the two previously-removed motor housing mounting screws (FF) and securely tighten all screws.

Hardware Used

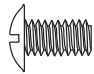
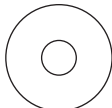
FF Motor Housing Mounting Screw  x 4

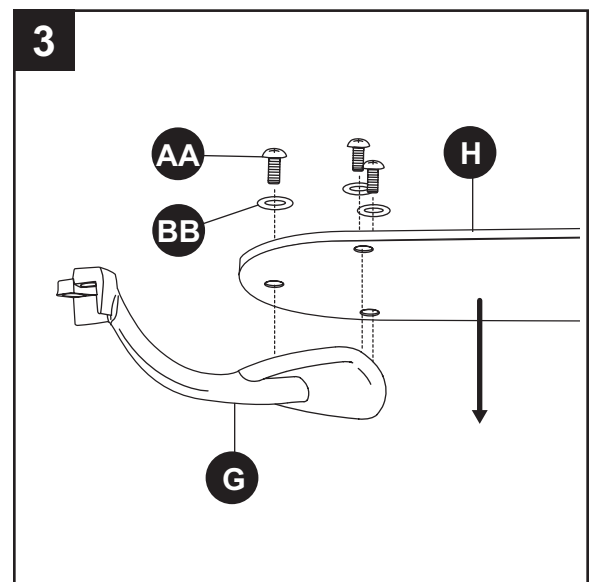


FINAL INSTALLATION

- Partially insert three blade screws (AA) along with three fiber blade washers (BB) to attach one blade arm (G) to a blade (H). Tighten each blade screw (AA), starting with the one in the middle. Repeat this step with each blade.

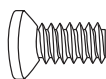

Hardware Used

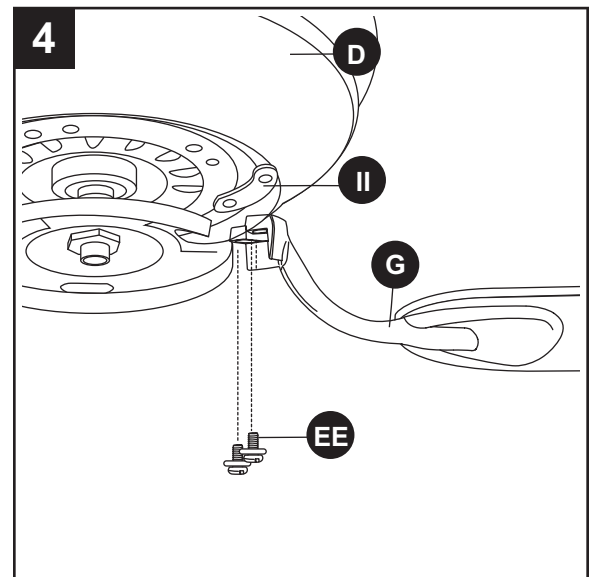
AA	Blade Screw		x 15
BB	Fiber Blade Washer		x 15



- Align a blade arm (G) and a blade isolator (II) with two holes underneath the motor (D) and insert two of the previously-removed motor screws (EE) through the blade arm (G) and into the motor (D). Tighten the screws securely. Repeat this step for the remaining blade arms (G).

Hardware Used

EE	Motor Screw		x 10
II	Blade Isolator		x 5



FINAL INSTALLATION

5. If you wish to use the light kit, remove three light kit screws (GG) from the switch housing plate (J). Locate the Blue and White wires in the switch housing plate (J) labeled "FOR LIGHT" and remove the plastic from these two wires. Connect the White wire from the light kit fitter (E) to the White wire from the switch housing plate (J). Connect the Black wire from the light kit fitter (E) to the Blue wire from the switch housing plate (J). Ensure that the connections are secure for all wires.

Hardware Used

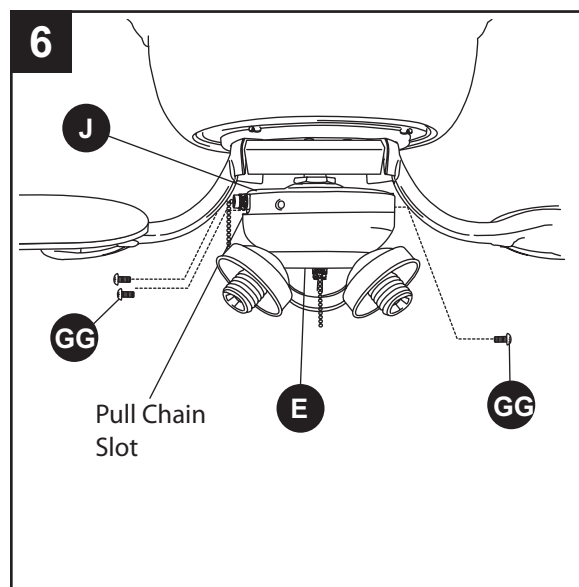
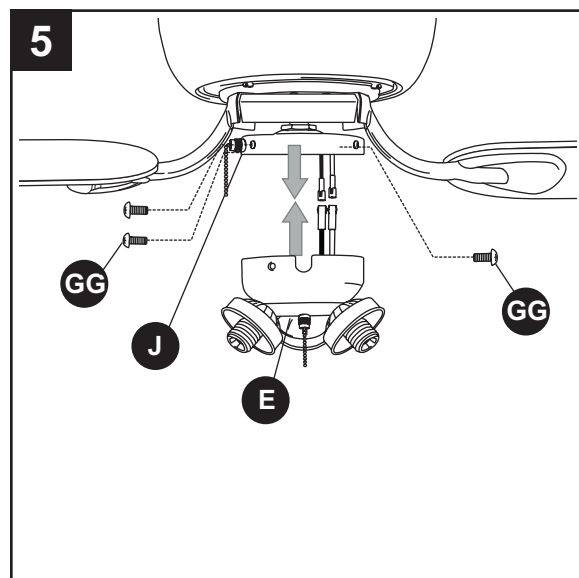
GG Light Kit Screw  x 3

Note: If you do not wish to use the light kit, proceed to the Using the Fan With No Light Kit Option section of this manual.

6. Gently push the connected wires into the switch housing plate (J). Guide the fan pull chain through the slot on the light kit fitter (E) and attach the light kit fitter (E) to the switch housing plate (J) using the light kit screws (GG). Secure the screws with a Phillips screwdriver.

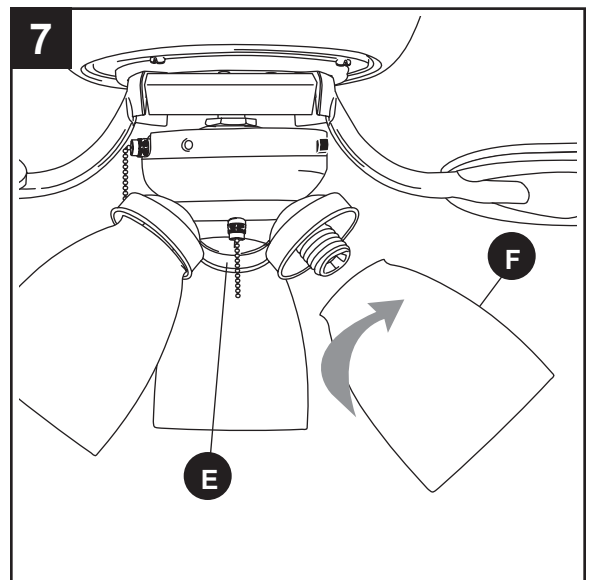
Hardware Used

GG Light Kit Screw  x 3



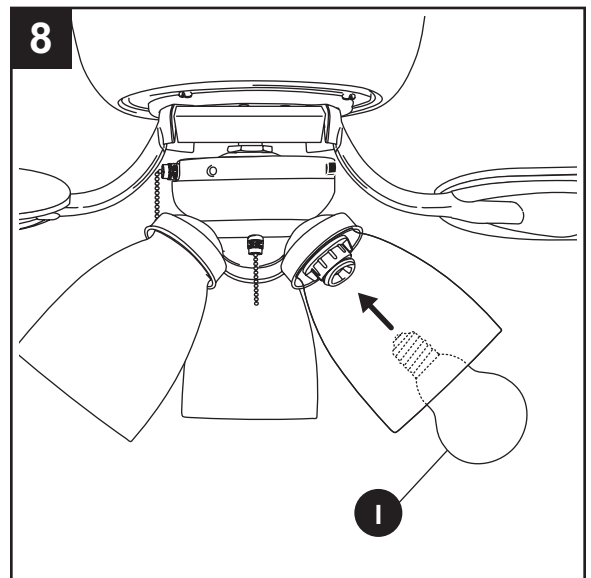
FINAL INSTALLATION

7. Screw the twist-on glass shades (F) into the sockets on the light kit fitter (E).



8. Install three candelabra-base 60-watt max. bulbs (I) included.

Important: When you need to replace bulbs, please allow bulbs and glass shades to cool down before handling them.

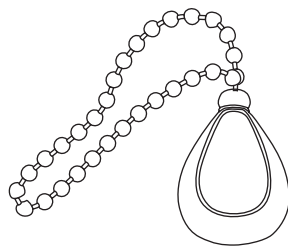


9. Attach the pull chain extensions (DD) or custom pull chains extensions (not included) to the fan and light pull chains.

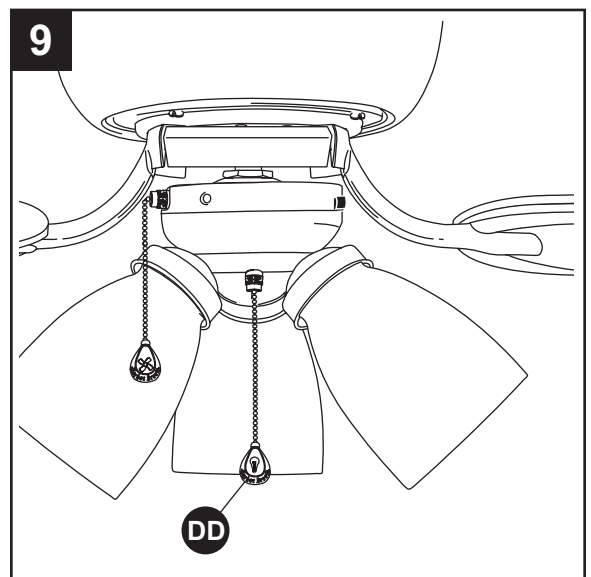
Hardware Used

DD

Pull Chain
Extension



x 2

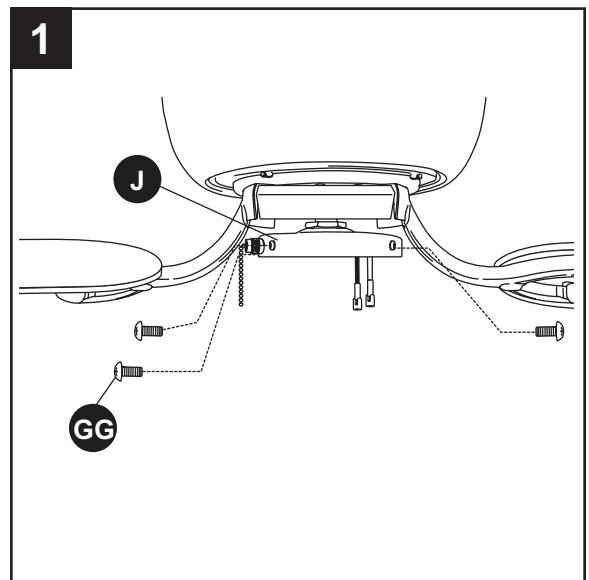


USING THE FAN WITH NO LIGHT KIT OPTION

1. Remove the three light kit screws (GG) from the switch housing plate (J).

Hardware Used

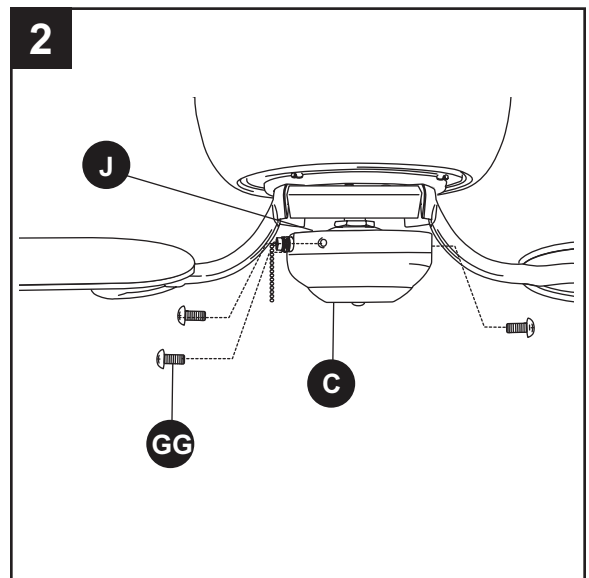
GG Light Kit Screw  x 3



2. Align the holes in the extra switch housing (C) with the holes in the light kit screws (GG). The wide gap in the top edge of the extra switch housing (C) should align with the reverse switch on the switch housing plate (J) for the proper fit. Re-insert the light kit screws (GG) and tighten securely with a Phillips screwdriver.


Hardware Used

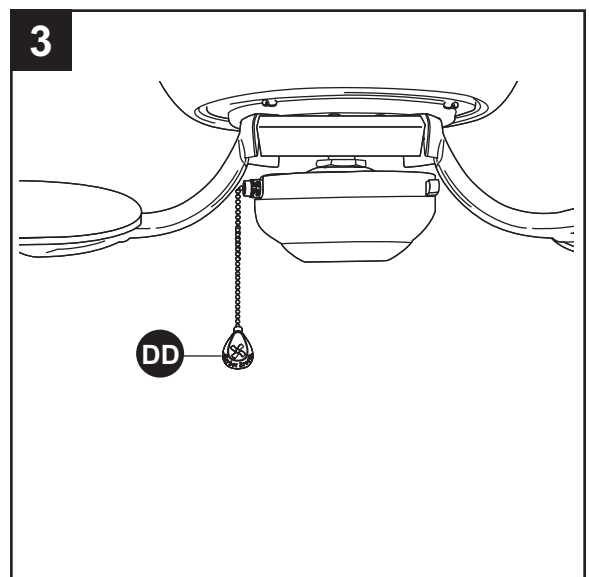
GG Light Kit Screw  x 3



3. Attach the pull chain extension (DD) to the fan pull chain.

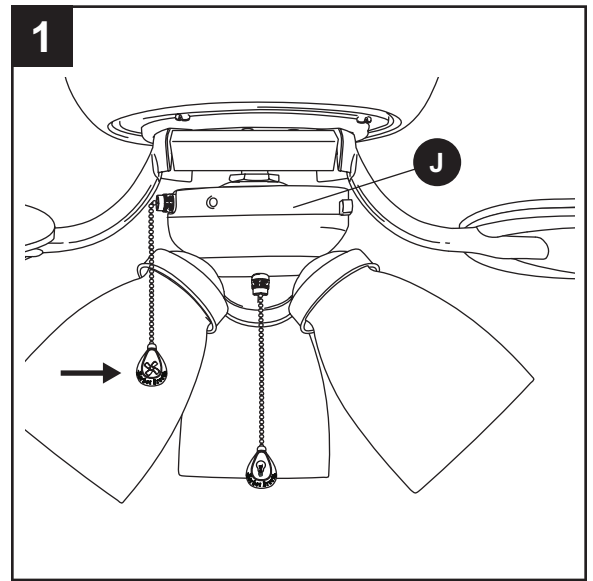
Hardware Used

DD Pull Chain Extension  x 1

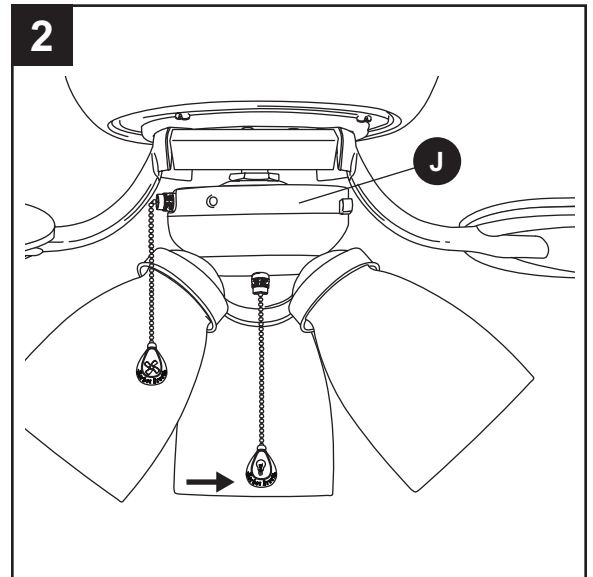


OPERATING INSTRUCTIONS

1. The pull chain on the switch housing plate (J) has four positions to control the fan speed. One pull is HIGH, two is MEDIUM, three is LOW, and four turns the fan OFF.

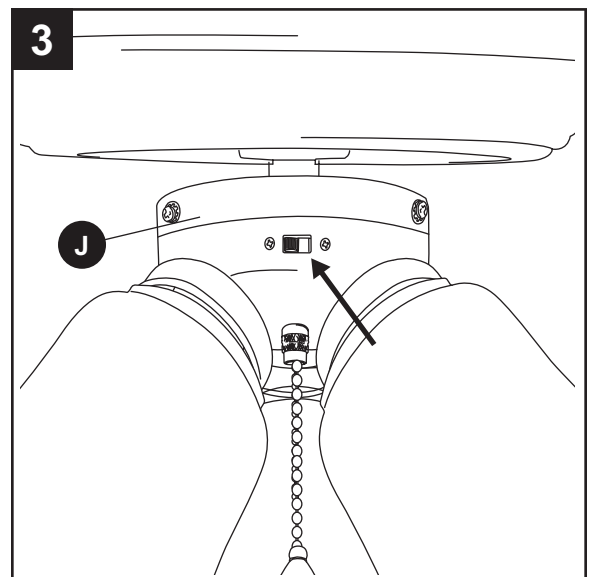


2. The pull chain in the center is used to turn the light ON and OFF.



3. Use the fan reverse switch located on the switch housing plate (J) to optimize your fan for seasonal performance. A ceiling fan will allow you to raise your thermostat setting in summer and lower your thermostat setting in winter without feeling a difference in your comfort.

Note: Wait for the fan to stop before moving the reverse switch.

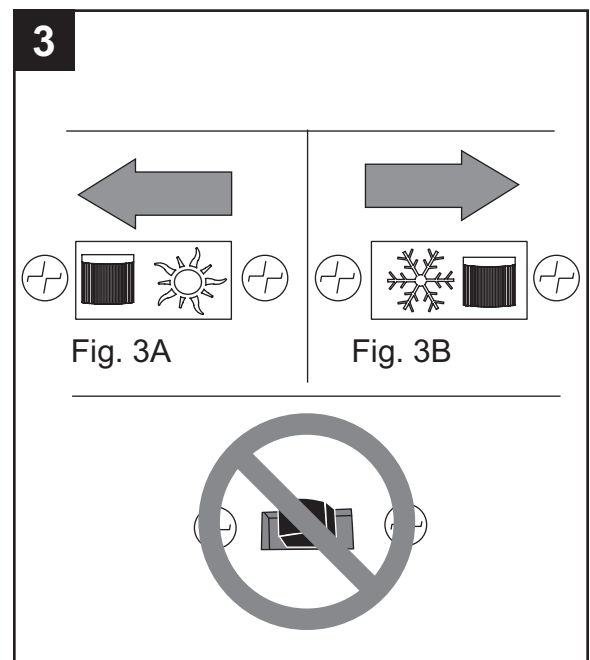


OPERATING INSTRUCTIONS

3A. In warmer weather, push the reverse switch to the left to display a Sun icon, which will result in downward airflow creating a wind chill effect.

3B. In cooler weather, push the reverse switch to the right to display a Snowflake, which will result in upward airflow that can help move stagnant, hot air off the ceiling area.

Important: The reverse switch must be set either completely to the left or the right in order for the fan to function. If the reverse switch is set in the middle position, the fan will not operate.



CARE AND MAINTENANCE

At least twice each year, lower the canopy to check the downrod assembly, and then tighten all screws on the fan. Clean the motor housing with only a soft brush or lint-free cloth to avoid scratching the finish. Clean the blades with a lint-free cloth. You may occasionally apply a light coat of furniture polish to wood blades for added protection.

Important: Shut off the main power supply before you begin any maintenance task. Do not use water or a damp cloth to clean the fan.

TROUBLESHOOTING

PROBLEM	POSSIBLE CAUSE	CORRECTIVE ACTION
The fan does not move.	<ol style="list-style-type: none"> 1. The reverse switch is not engaged. 2. The wall switch is turned off. 3. The power is off or the fuse (breaker) is blown. 4. There is a faulty wire connection. 	<ol style="list-style-type: none"> 1. Firmly push the reverse switch to either the left or right. 2. Make sure the wall switch is turned on. 3. Turn the power on or check the fuse (breaker). 4. Turn the power off and check all connections at the ceiling outlet box.
The fan is noisy.	<ol style="list-style-type: none"> 1. The blades are loose. 2. There is a cracked blade. 3. The wall control is not compatible with the fan. 4. The break-in period has not surpassed. 5. The outlet box is not secure. 6. The mounting bracket is not secure. 	<ol style="list-style-type: none"> 1. Check and tighten all screws that hold the fan blades to the blade arms and the motor. 2. Replace the cracked blade. 3. Do not use a full range dimmer switch to control the fan speed. 4. Run the fan continuously for 24 - 48 hours on medium or high speed for a "break in" period. 5. Ensure the outlet box is secured to the building structure. 6. Ensure the mounting bracket is secured to the outlet box and that the screws are tight.
There is excessive wobbling.	<ol style="list-style-type: none"> 1. The blades and/or blade are loose. 2. The blades are unbalanced. 3. The fan mounting is not secure. 	<ol style="list-style-type: none"> 1. Check and tighten all screws that hold the fan blades to the blade arms and the blade arms to the motor. 2. Switch one blade with a blade from the opposite side. Or balance the fan using a balancing kit (not supplied). 3. Turn off the power. Loosen the canopy and verify that the mounting bracket is secure to the electrical outlet box. The bracket must be flush without movement against the outlet box.

TROUBLESHOOTING

PROBLEM	POSSIBLE CAUSE	CORRECTIVE ACTION
The fan operates correctly, but the lights are not working (if applicable).	<ol style="list-style-type: none">1. The bulb(s) not installed correctly.2. The light kit wire plugs are not connected properly.3. There is a faulty wire connection.	<ol style="list-style-type: none">1. Re-install the bulb(s).2. Ensure that the male and female plugs in the light kit fitter are connected properly.3. Turn the power off and check all connections at the ceiling outlet box.

Note: A small amount of “wobble” is normal and should not be considered a defect.



LIFETIME LIMITED WARRANTY

The manufacturer warrants this fan to be free from defects in workmanship and materials present at time of shipment from the factory for a lifetime from the date of purchase by the original purchaser. The retailer also warrants that all other fan parts, excluding any glass or plexiglas blades, to be free from defects in workmanship and material at the time of shipment from the factory for a period of one year after the date of purchase by the original purchaser. The manufacturer agrees to correct such defects without charge or at its option replace the ceiling fan with a comparable or superior model.

To obtain warranty service, present a copy of the receipt as proof of purchase. All costs of removing and reinstalling the product are your responsibility. Any damage to any part such as by accident or misuse or improper installation or by affixing any accessories, is not covered by this warranty. The manufacturer assumes no responsibility whatsoever for fan installation during the limited lifetime warranty. Any service performed by an unauthorized person will render the warranty invalid.

Due to varying climate conditions, this warranty does not cover any changes in brass finish, including rusting, pitting, corroding, tarnishing or peeling. Brass finishes of this type give their longest useful life when protected from varying weather conditions. Any glass provided with this fan is not covered by the warranty.

Any replacement of defective parts from the ceiling fan must be reported within the first year from the date of purchase. For the balance of the warranty, call our customer service department for return authorization and shipping instructions so that we may repair or replace the ceiling fan. Any fan or parts returned improperly is the sole responsibility of the purchaser. There is no other expressed warranty. The manufacturer disclaims any and all warranties. The duration of any implied warranty which cannot be disclaimed is limited to the time period as specified in the expressed warranty. The manufacturer shall not be liable for incidental, consequential, or special damages arising out of or in connection with product use or performance except as may otherwise be accorded by law. This warranty gives specific legal rights, and you may also have other rights which vary from state to state.

This warranty supersedes all prior warranties.

Note: A small amount of “wobble” is normal and should not be considered a defect.



REPLACEMENT PARTS LIST

For replacement parts, call our customer service department at 1-800-643-0067, 8 a.m. - 6 p.m., EST, Monday - Thursday, 8 a.m. - 5 p.m., EST, Friday. When ordering parts, please have the Model # or Item # of the fan available.

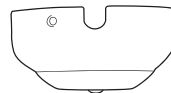
PART	DESCRIPTION	MODEL 40109 PART #	MODEL 40110 PART #	MODEL 40111 PART #
A	Motor Housing	403515-A	403516-A	403514-A
B	Upper Mounting Bracket	403515-B	403516-B	403514-B
C	Extra Switch Housing	403515-C	403516-C	403514-C
F	Twist-On Glass Shade	403515-F	403516-F	403514-F
G	Blade Arm	403515-G	403516-G	403514-G
H	Blade	403515-H	403516-H	403514-H
JJ	Hardware Kit	403515-JJ	403516-JJ	403514-JJ



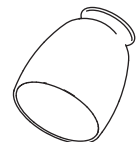
A



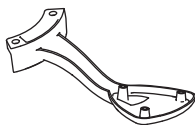
B



C



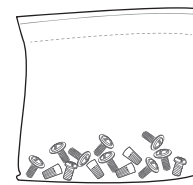
F



G



H



JJ

Printed in China

Harbor Breeze® is a registered trademark of LF, LLC.
All Rights Reserved.

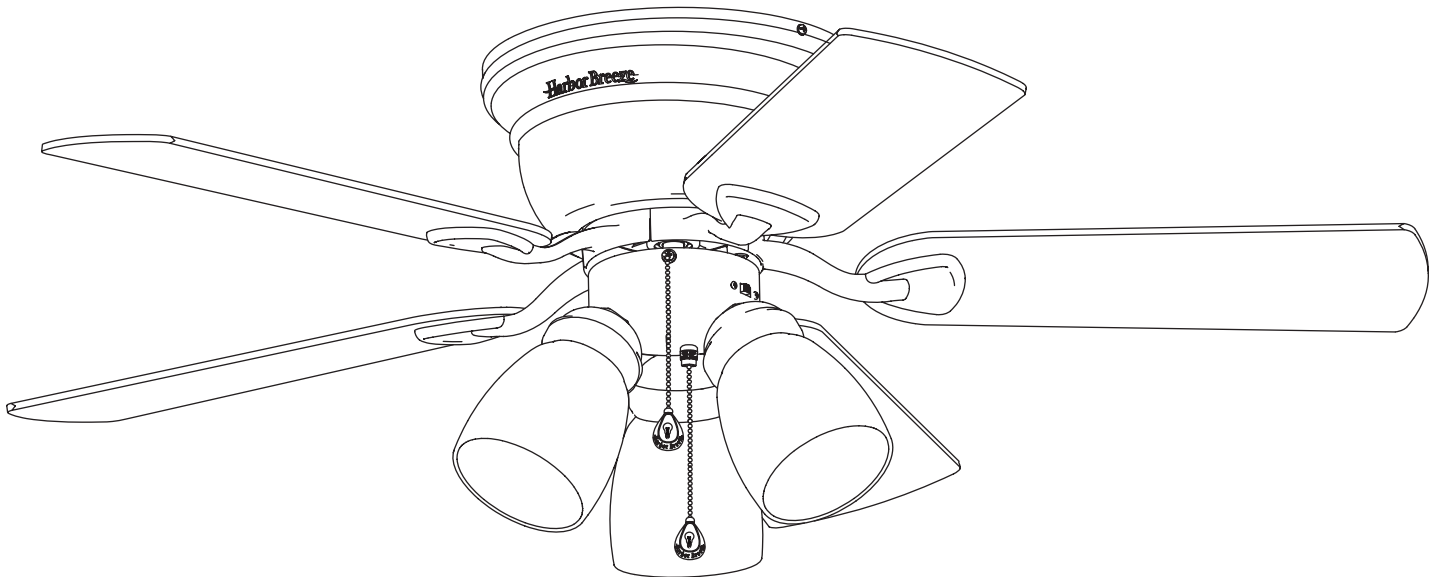
ARTÍCULO # 0403515, 0403516, 0403514



VENTILADOR DE TECHO CENTREVILLE DE 106,68 CM

MODELO # 40109, 40110, 40111

Harbor Breeze® es una marca registrada de LF, LLC.
Todos los derechos reservados.



ADJUNTE SU RECIBO AQUÍ

Número de serie _____ Fecha de compra _____



¿Preguntas, problemas, piezas faltantes? Antes de volver a la tienda, llame a nuestro Departamento de Servicio al Cliente al 1-800-643-0067, de lunes a jueves de 8 a.m. a 6 p.m., y los viernes de 8 a.m. a 5 p.m., hora estándar del Este.

Lowes.com/harborbreeze

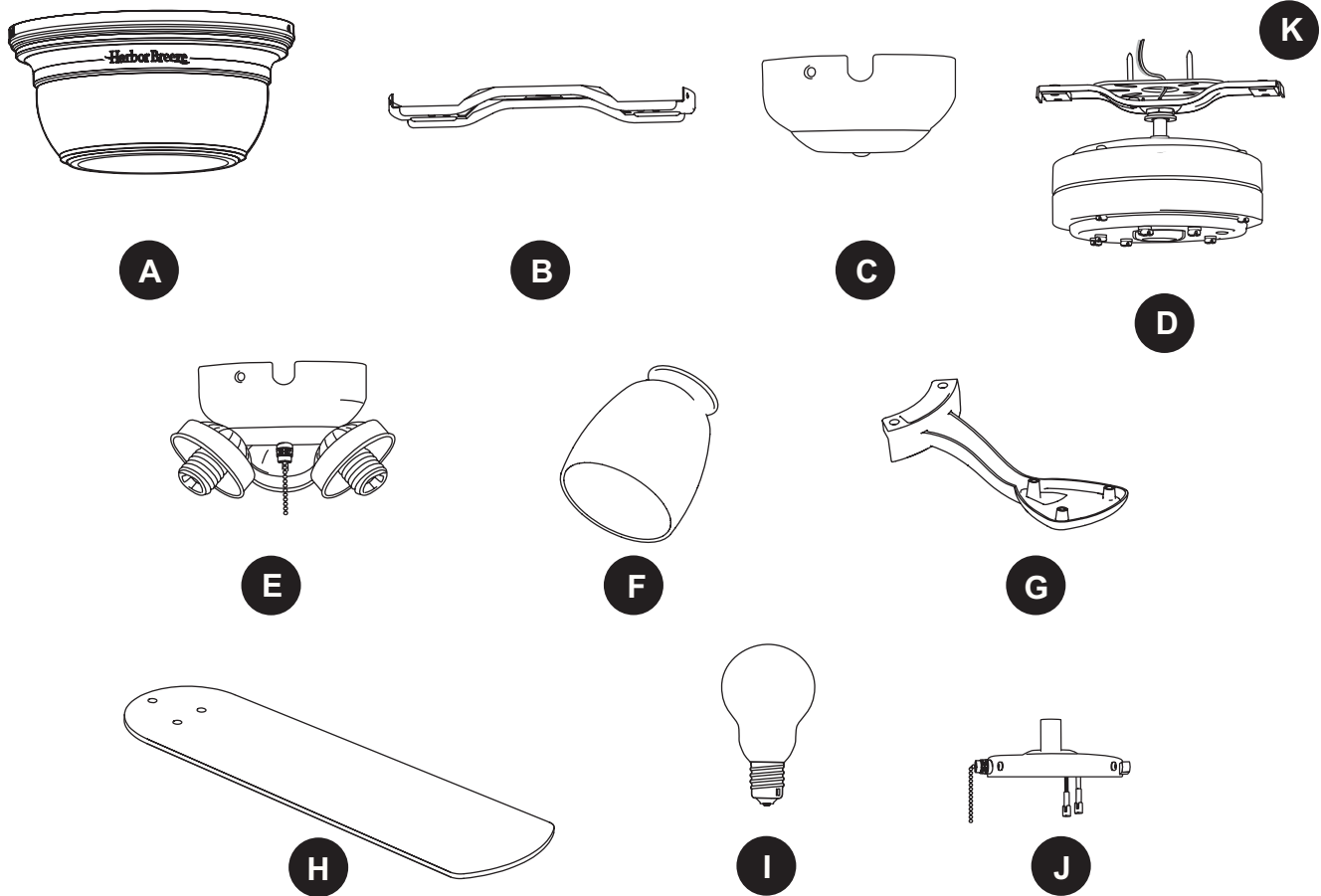


ÍNDICE

Contenido del paquete26
Aditamentos.27
Información de seguridad28
Preparación29
Instalación inicial30
Cableado33
Instalación final36
Cómo usar el ventilador sin la opción del kit de iluminación40
Instrucciones de funcionamiento41
Cuidado y mantenimiento42
Solución de problemas43
Garantía limitada de por vida45
Lista de piezas de repuesto.46



CONTENIDO DEL PAQUETE



PIEZA	DESCRIPCIÓN	CANT.
A	Carcasa del motor	1
B	Soporte de montaje superior	1
C	Carcasa del interruptor extra	1
D	Ensamble del motor	1
E	Soporte del kit de iluminación	1
F	Pantalla de vidrio giratoria	3
G	Brazo del aspa	5
H	Aspa	5
I	Bombilla	3
J	Placa de la carcasa del interruptor (preensamblada en el ensamblaje del motor [D])	1
K	Abrazadera inferior de montaje (preensamblada en el ensamblaje del motor [D])	1

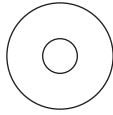
ADITAMENTOS

AA



Tornillo para aspa
Cant. 15 y 1 adicional

BB



Arandela para aspa de
fibra
Cant. 15 y 1 adicional

CC



Conector de cables
Cant. 4

DD



Extensión para la
cadena de tiro
Cant. 2

EE



Tornillo del motor
Cant. 10 y 1 adicional
(preensablado en la
carcasa del motor [A])

FF



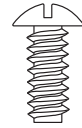
Tornillo de montaje de
la carcasa del motor
Cant. 4
(preensablado en
la abrazadera de
montaje [B])

GG



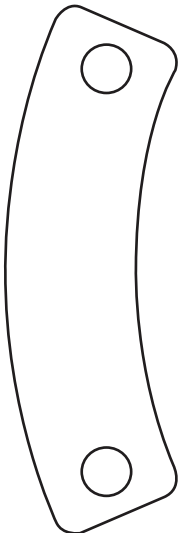
Tornillo para el kit
de iluminación
Cant. 3
(preensablado
en la placa de
la carcasa del
interruptor [J])

HH



Tornillo de abrazadera
Cant. 4
(preensablado en
la abrazadera inferior
de montaje [K])

II



Aislador de aspa
Cant. 5



INFORMACIÓN DE SEGURIDAD

Lea y comprenda completamente este manual antes de intentar ensamblar, usar o instalar el producto.

- Antes de comenzar a instalar el ventilador, desconecte la alimentación eléctrica; para esto retire los fusibles o coloque el interruptor de circuito en la posición de apagado.
- Asegúrese de que todas las conexiones eléctricas cumplan con los códigos y ordenanzas locales, el National Electrical Code (Código Nacional de Electricidad) y la norma ANSI/NFPA 70-199. Si no está familiarizado con la instalación del cableado eléctrico, contrate a un electricista calificado o consulte un manual de cableado para hacerlo usted mismo.
- Asegúrese de que en el lugar de instalación que elija se pueda establecer una distancia mínima de 2,13 m desde las aspas hasta el piso, y al menos 76,20 cm desde los extremos de las aspas hasta cualquier obstáculo.
- El peso neto de este ventilador es: 6,10 kg.

No deseche la caja del ventilador ni los accesorios de espuma. En caso de que deba devolverse este ventilador a la fábrica para realizarle reparaciones, debe ser enviado en su empaque original para asegurar una protección adecuada contra daños que puedan aumentar la causa inicial de la devolución.



PELIGRO: Si utiliza una caja de salida existente, asegúrese de que esté bien sujeta a la estructura del edificio y que pueda sostener el peso del ventilador. El incumplimiento de dicho paso podría provocar lesiones graves o la muerte. La estabilidad de la caja de salida es fundamental para minimizar el tambaleo y el ruido en el ventilador una vez que la instalación esté completa.



ADVERTENCIA: Para evitar lesiones personales, puede ser necesario usar guantes al manipular las piezas del ventilador con bordes filosos.



ADVERTENCIA: El uso de un regulador de intensidad de rango completo para controlar la velocidad del ventilador provocará un zumbido intenso del ventilador. Para reducir el riesgo de incendios o descargas eléctricas, NO use un regulador de intensidad de rango completo para controlar la velocidad del ventilador.



ADVERTENCIA: Para reducir el riesgo de incendios, descargas eléctricas o lesiones personales, instale el ventilador en una caja de salida marcada como “APTA PARA SOSTENER UN VENTILADOR” y utilice los tornillos de montaje incluidos en la caja de salida. La mayoría de las cajas de salida que se usan comúnmente para sostener ensambles de iluminación no son aptas para sostener un ventilador y puede ser necesario reemplazarlas. Si tiene dudas, consulte a un electricista calificado. Asegure la caja de salida directamente a la estructura del edificio. La caja de salida y su soporte deben ser capaces de sostener el peso del ventilador en movimiento (al menos 15,88 kg). NO use una caja de salida de plástico.



ADVERTENCIA: Para reducir el riesgo de incendios, descargas eléctricas o lesiones personales, los conectores de cables proporcionados con este ventilador están diseñados para soportar solo un cable de la casa de calibre 12 y dos cables conductores del ventilador. Si el cable de su casa es de un calibre superior a 12 o hay más de un cable para conectar los dos cables conductores del ventilador, pregúntele a un electricista cuál es el tamaño adecuado de los conectores de cables que debe utilizar.



ADVERTENCIA: Para reducir el riesgo de incendios o descargas eléctricas, no use el ventilador con dispositivos de control de velocidad para estado sólido ni controle la velocidad del ventilador con un regulador de intensidad de rango completo.



ADVERTENCIA: Para reducir el riesgo de incendios, descargas eléctricas o lesiones personales, no doble los brazos de las aspas al instalarlas, al equilibrarlas o al limpiar el ventilador. No introduzca objetos entre las aspas en movimiento.



ADVERTENCIA: Para reducir el riesgo de lesiones personales, use sólo las piezas que se incluyen con este ventilador. El uso de piezas DISTINTAS a aquellas que se incluyen con este ventilador anulará la garantía.



INFORMACIÓN DE SEGURIDAD

PRECAUCIÓN: Lea todas las instrucciones y la información de seguridad antes de instalar el nuevo ventilador. Revise los diagramas de ensamblaje adjuntos.

PRECAUCIÓN: asegúrese de que la caja de salida cuente con la puesta a tierra adecuada o de que haya un conductor (verde o desnudo) de tierra.

PRECAUCIÓN: Revise cuidadosamente todos los tornillos, pernos y tuercas del ensamble del motor del ventilador para comprobar que estén seguros.

PREPARACIÓN

Antes de comenzar a ensamblar este producto, asegúrese de tener todas las piezas. Compare todas las piezas con la lista del contenido del paquete y con la lista de aditamentos. No intente ensamblar el producto si falta alguna pieza o si estas están dañadas.

Después de abrir la parte superior de la caja, retire el paquete de aditamentos para montaje de los accesorios de espuma. Luego, quite el motor del ensamble y colóquelo en una superficie suave, como una alfombra, para evitar dañar el acabado.

Tiempo estimado de ensamblaje: 120 minutos

Herramientas necesarias para el ensamblaje (no se incluyen): cinta aislante, destornillador Phillips, pinzas, gafas de seguridad, escalera de tijera y pinzas pelacables.

Herramientas útiles (no se incluyen): Luz de prueba de CA, cinta métrica, manual de cableado y pinzas cortacables



INSTALACIÓN INICIAL

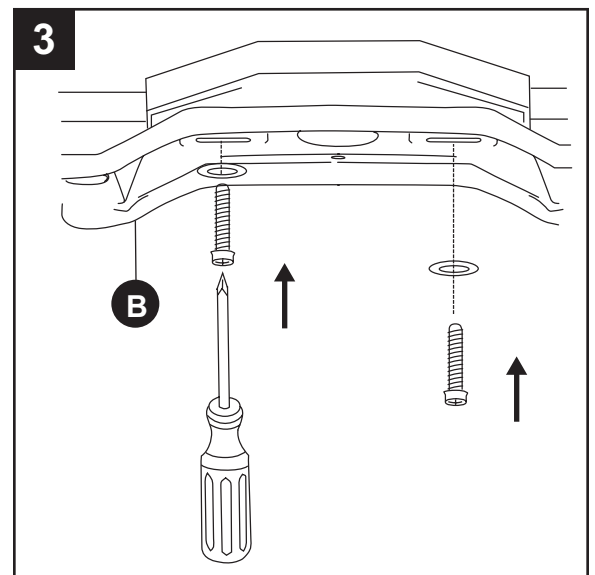
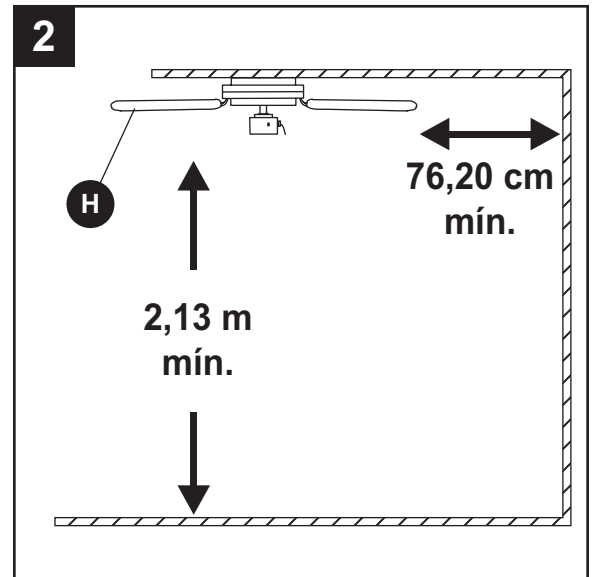
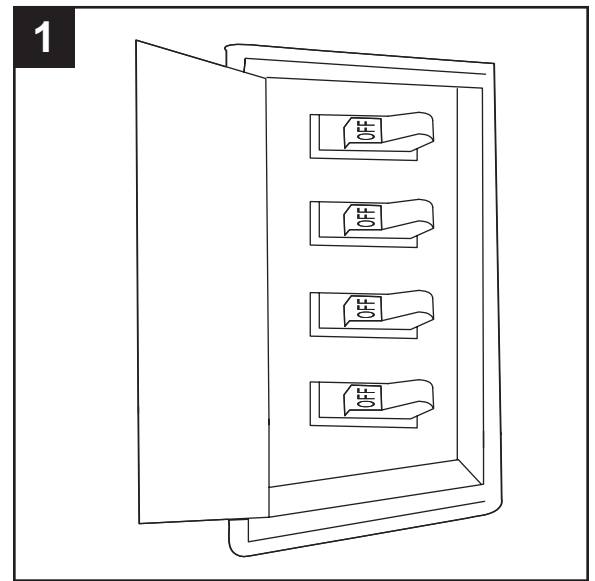
1. Gire las abrazaderas de circuito y el interruptor de pared hacia los conductores de la línea de suministro del ventilador.

! **PELIGRO:** si no interrumpe el suministro de electricidad antes de la instalación, pueden producirse lesiones graves o la muerte.

2. Compruebe que las aspas (H) estén al menos a 76,20 cm de cualquier obstáculo y al menos a 2,13 m del piso.

3. Asegure la abrazadera superior de montaje (B) a la caja de salida con los tornillos, las arandelas de resorte y las arandelas planas que se proporcionan con la caja de salida (no se incluye).

Nota: Es muy importante que use los aditamentos adecuados para instalar la abrazadera de montaje (B), ya que esta soportará el ventilador.

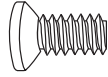


INSTALACIÓN INICIAL

4. Retire los tornillos del motor (EE) del motor (D) y guárdelos para su uso posterior. Si hay topes plásticos del motor instalados, quítelos y deséchelos.

Aditamentos utilizados

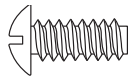
EE Tornillo del motor x 10



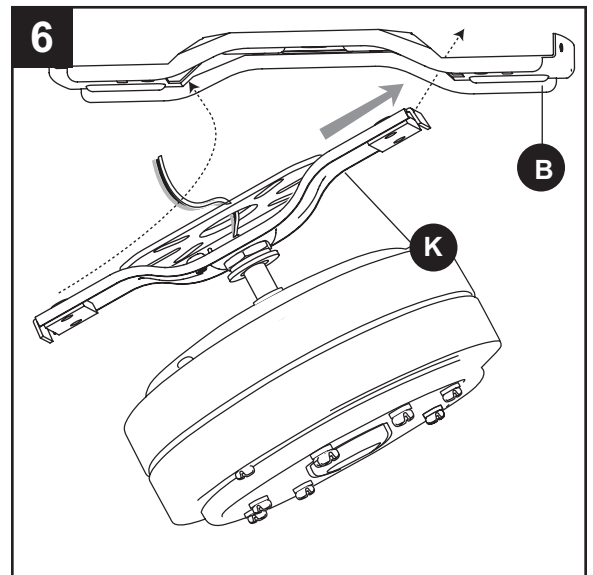
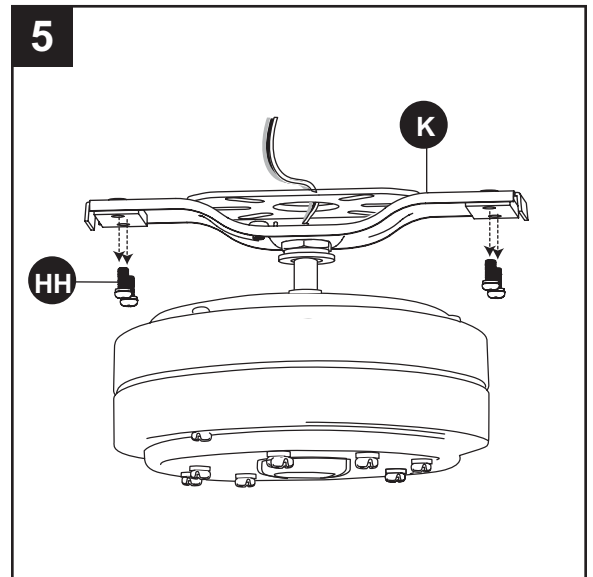
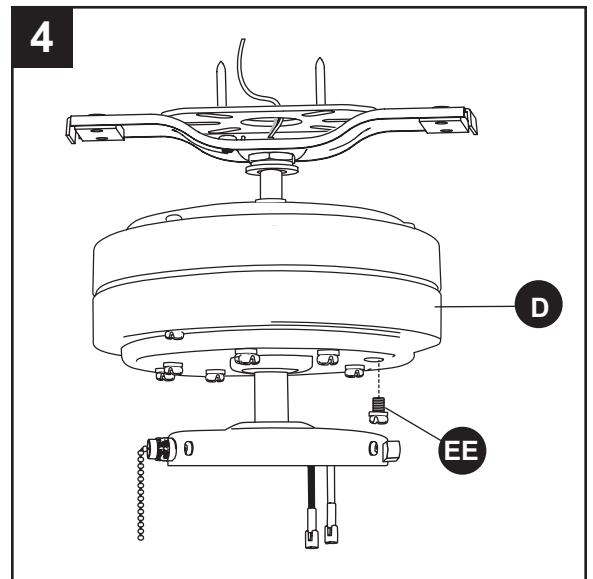
5. Retire los tornillos de la abrazadera (HH) debajo de la abrazadera inferior de montaje (K).

Aditamentos utilizados

HH Tornillo de abrazadera x 4



6. Coloque una lengüeta de la abrazadera inferior de montaje (K) en la ranura de la abrazadera superior de montaje (B). Luego desplace la segunda lengüeta de la abrazadera inferior de montaje (K) en la segunda ranura de la abrazadera superior de montaje (B) hasta que los cuatro orificios estén alineados.



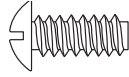
INSTALACIÓN INICIAL

7. Vuelva a instalar los tornillos de la abrazadera previamente retirados (HH) debajo de la abrazadera inferior de montaje (K) y en la abrazadera superior de montaje (B). Apriete firmemente los tornillos.

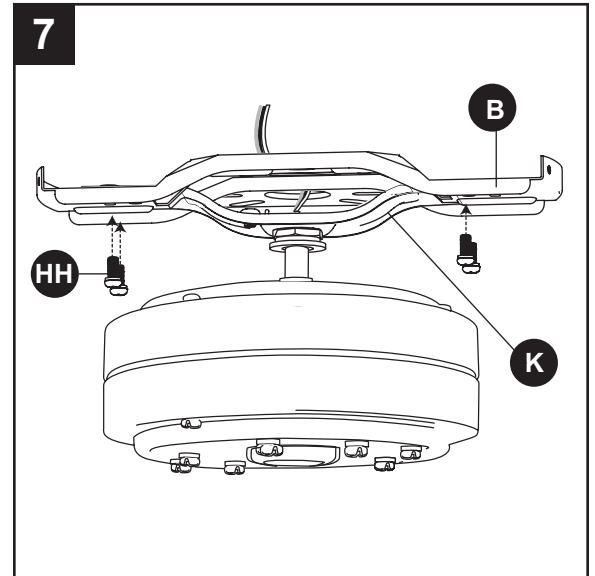
Aditamentos utilizados

HH

Tornillo de abrazadera



x 4



CABLEADO

⚠️ ADVERTENCIA: para reducir el riesgo de incendios, descargas eléctricas o lesiones personales, los conectores de cables proporcionados con este ventilador están diseñados para soportar solo un cable de la casa de calibre 12 y dos cables conductores del ventilador. Si el cable interior es de un calibre superior a 12 o hay más de un cable interior para conectar los dos cables conductores del ventilador, pregúntele a un electricista cuál es el tamaño adecuado de los conectores de cables que debe utilizar.

⚠️ ADVERTENCIA: Si los colores de los cables interiores no coinciden con los colores que se mencionan en el siguiente paso, deténgase de inmediato. Se recomienda que un electricista profesional determine el esquema de cableado adecuado.

PRECAUCIÓN: asegúrese de que la caja de salida cuente con la puesta a tierra adecuada o de que haya un conductor (verde o desnudo) de tierra.

De las tres opciones que se mencionan más abajo, escoja el diagrama de cableado que se ajuste a su situación y realice las conexiones del cableado adecuadas como se indica a continuación:

1A. VENTILADOR Y LUZ CONTROLADOS POR

CADENAS DE TIRO: Conecte los conductores negro y azul del ventilador al conductor negro del techo. Conecte el cable blanco del ventilador al cable blanco del techo. Conecte todos los cables de tierra (verdes) juntos desde el ventilador al cable desnudo o verde del techo. Asegure todas las conexiones del cableado junto con los conectores de cable (CC).

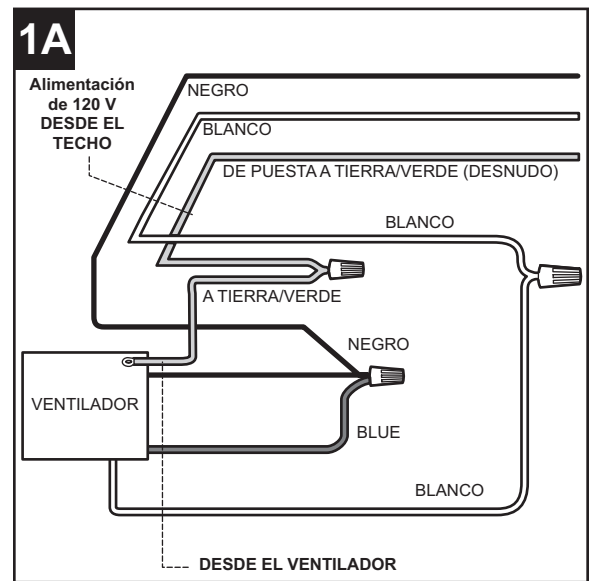
Aditamentos utilizados



Conector de cables



x 4



1B. VENTILADOR CONTROLADO POR CADENA DE TIRO Y LUZ CONTROLADA POR INTERRUPTOR DE PARED

Para controlar el ventilador mediante cadenas de tiro y la luz con un interruptor de pared separado, conecte el cable negro del ventilador con el cable negro del techo. Conecte el cable azul del ventilador al cable negro del interruptor de pared para la luz. Conecte el cable blanco del ventilador al cable blanco del techo. Conecte todos los cables de tierra (verdes) juntos desde el ventilador al cable desnudo o verde del techo. Asegure todas las conexiones del cableado junto con los conectores de cable (CC).

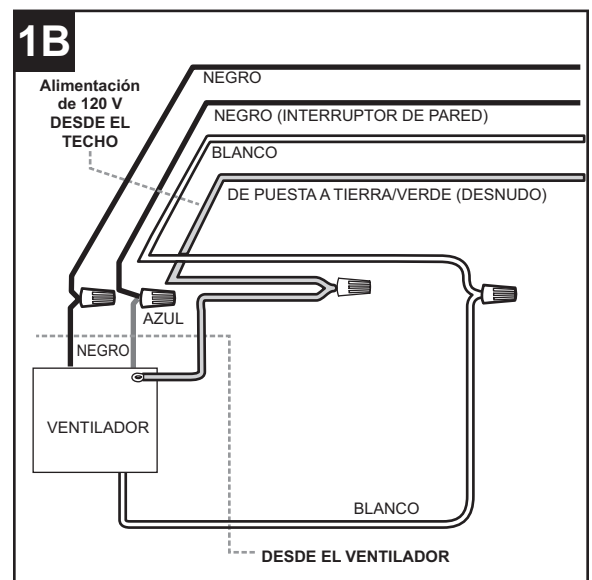
Aditamentos utilizados



Conector de cables



x 4

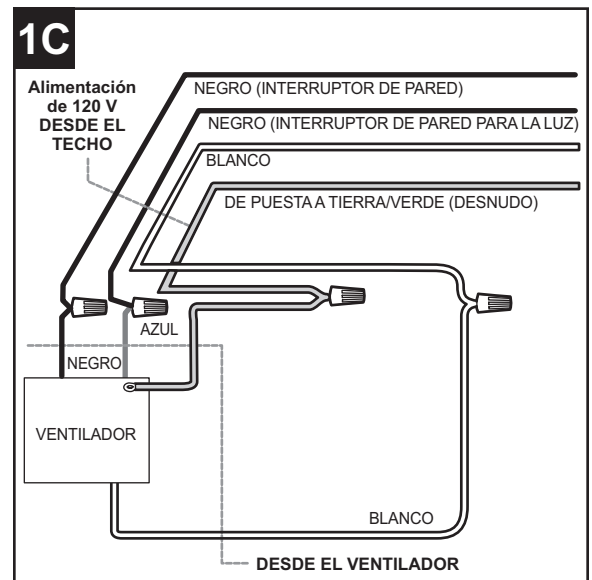


CABLEADO

1C. VENTILADOR Y LUZ CONTROLADOS POR DOS INTERRUPTORES DE PARED:

Para controlar el ventilador y la luz con interruptores de pared separados, conecte el cable negro del ventilador al cable negro del interruptor de pared para el ventilador. Conecte el cable azul del ventilador al cable negro del interruptor de pared para la luz. Conecte el cable blanco del ventilador al cable blanco del techo. Conecte todos los cables de tierra (verdes) juntos desde el ventilador al cable desnudo o verde del techo. Asegure todas las conexiones del cableado junto con los conectores de cable (CC).

Nota: El cable negro le proporciona energía al ventilador. El cable azul le proporciona energía al kit de iluminación. El cable blanco es el cable común para el ventilador y el kit de iluminación. El cable verde (desnudo) es de tierra.



Aditamentos utilizados

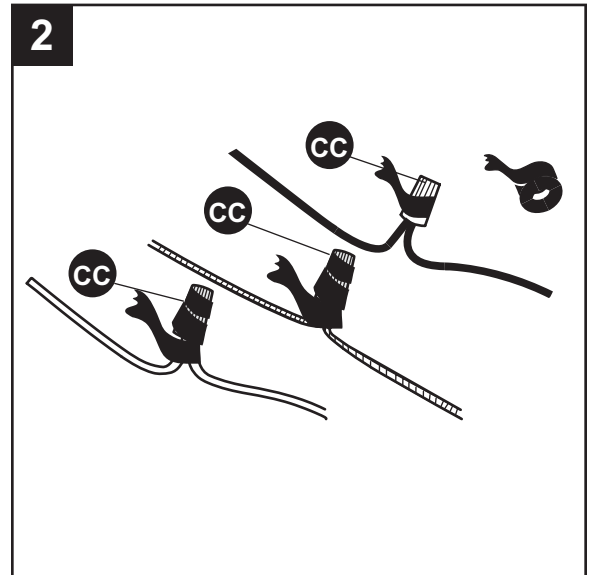


Conector de cables



x 4

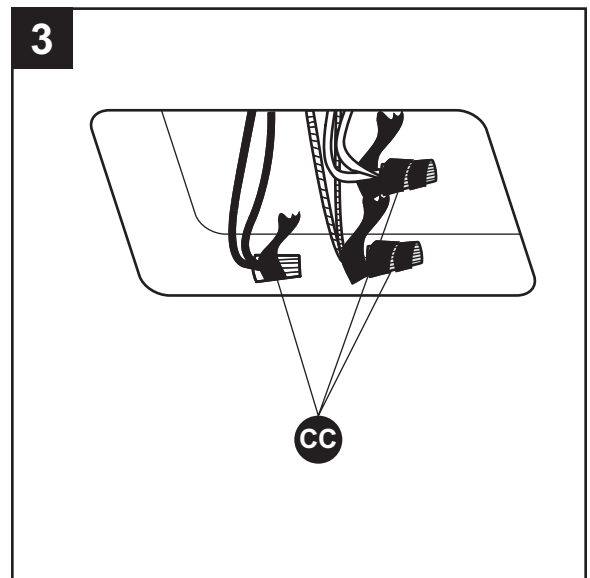
2. Cubra con cinta aislante (no se incluye) cada conector de cables (CC) individual hacia abajo del cable.



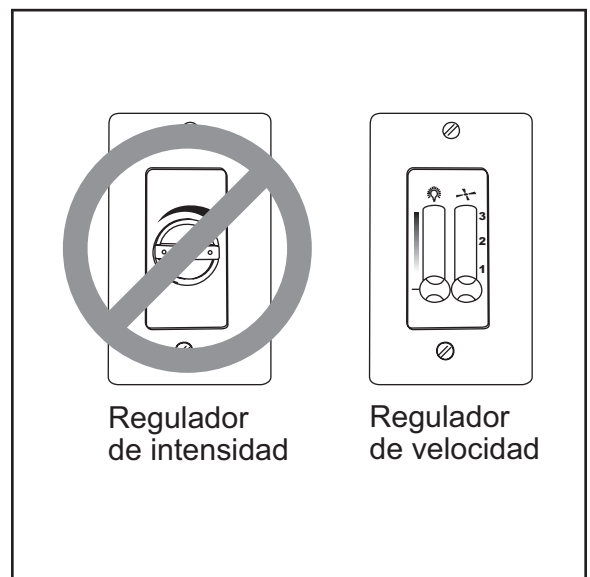
CABLEADO

3. Gire los cables empalmados o cubiertos con cinta hacia arriba y empuje suavemente los cables y los conectores de cables (CC) hacia dentro de la caja de salida.

⚠️ ADVERTENCIA: asegúrese de que no haya conductores desnudos ni filamentos de cables visibles después de realizar las conexiones. Coloque las conexiones de cables verde y blanco en el lado opuesto de la caja de salida con respecto a las conexiones de cables negro y azul (si corresponde).

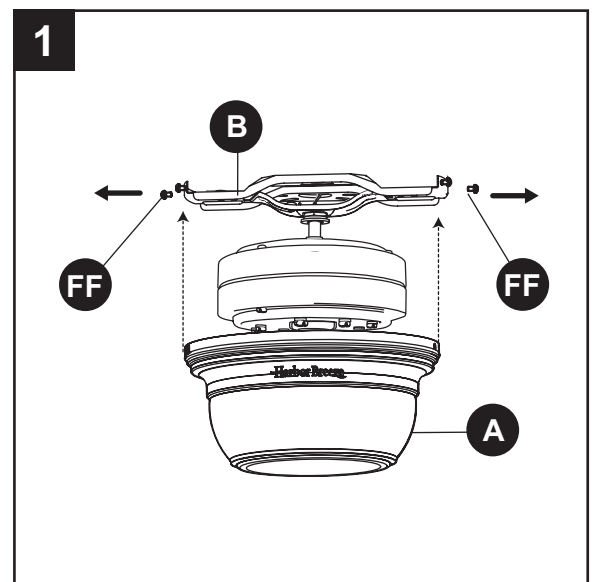


Importante: El uso de un regulador de intensidad de rango completo (no se incluye) para controlar la velocidad del ventilador provocará un zumbido intenso del ventilador. Para reducir el riesgo de incendios o descargas eléctricas, no use un regulador de intensidad de rango completo para controlar la velocidad del ventilador.



INSTALACIÓN FINAL

1. Levante temporalmente la carcasa del motor (A) hacia el soporte de montaje (B) para determinar cuáles son los dos tornillos de montaje de la carcasa del motor (FF) en los costados de la abrazadera de montaje (B) que se alinean con los orificios ranurados en el borde superior de la carcasa del motor (A). Afloje parcialmente los dos tornillos de montaje de la carcasa del motor (FF) que se alinean con los orificios ranurados. Retire los otros dos tornillos de montaje de la carcasa del motor (FF) de los costados opuestos de la abrazadera de montaje (B).



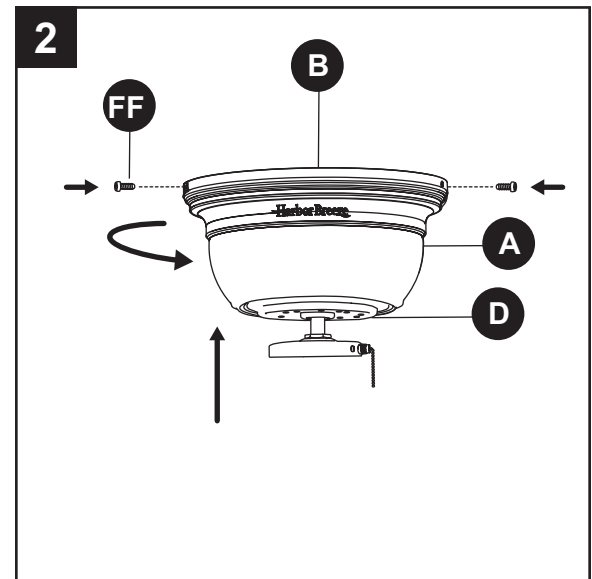
Aditamentos utilizados

- FF** Tornillo de montaje de la carcasa del motor  x 4

2. Desplace la carcasa del motor (A) sobre el ensamblaje del motor (D), alineando los orificios ranurados de la carcasa del motor (A) con los tornillos de montaje de la carcasa del motor aflojados (FF) en la abrazadera de montaje (B). Gire la carcasa del motor (A) para asegurarla. Luego vuelva a colocar los dos tornillos de montaje de la carcasa del motor previamente retirados (FF) y apriete bien todos los tornillos.

Aditamentos utilizados

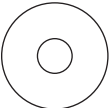
- FF** Tornillo de montaje de la carcasa del motor  x 4

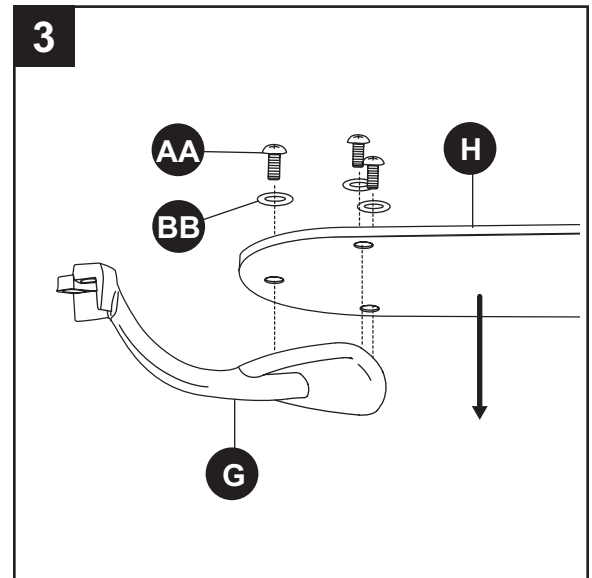


INSTALACIÓN FINAL

3. Inserte parcialmente tres tornillos de las aspas (AA), junto con tres arandelas de del aspa de fibra (BB) para fijar un brazo del aspa (G) a un aspa (H). Apriete cada uno de los tornillos del aspa (AA), comenzando por el que está en el centro. Repita este paso con cada aspa.

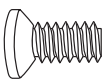

Aditamentos utilizados

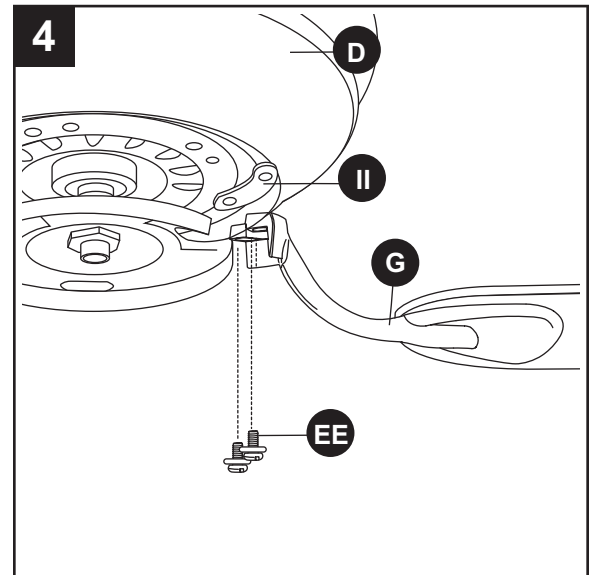
AA	Tornillo para aspa		x 15
BB	Arandela para aspa de fibra		x 15



4. Alinee el brazo del aspa (G) y el aislador de aspa (II) con dos orificios debajo del motor (D) e inserte dos de los tornillos del motor previamente retirados (EE) a través del brazo del aspa (G) y en el motor (D). Apriete firmemente los tornillos. Repita este procedimiento con los brazos de aspa restantes (G).

Aditamentos utilizados


EE	Tornillo del motor		x 10
II	Aislador de aspa		x 5



INSTALACIÓN FINAL

- Si desea usar el kit de iluminación, retire tres tornillos del kit de iluminación (GG) de la placa de la carcasa del interruptor (J). Ubique los cables azul y blanco en la placa de la carcasa del interruptor (J) etiquetados "FOR LIGHT" (PARA LA LUZ) y retire el plástico de estos dos cables. Conecte el cable blanco del soporte del kit de iluminación (E) con el cable blanco de la placa de la carcasa del interruptor (J). Conecte el cable negro del soporte del kit de iluminación (E) con el cable azul de la placa de la carcasa del interruptor (J). Asegúrese de que todas las conexiones sean seguras para todos los cables.

Aditamentos utilizados

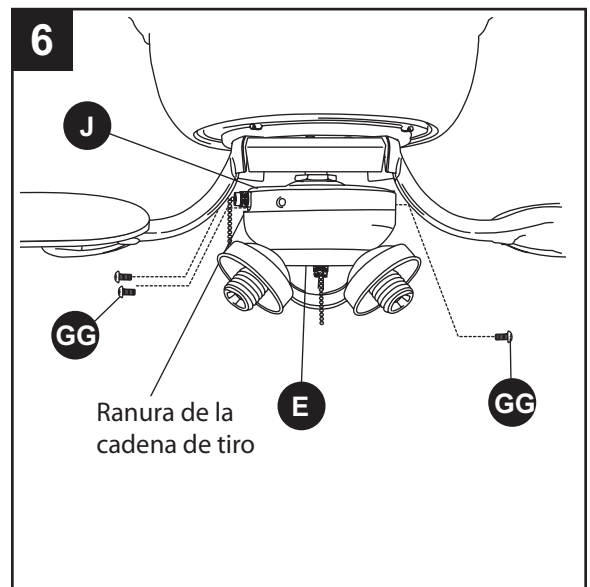
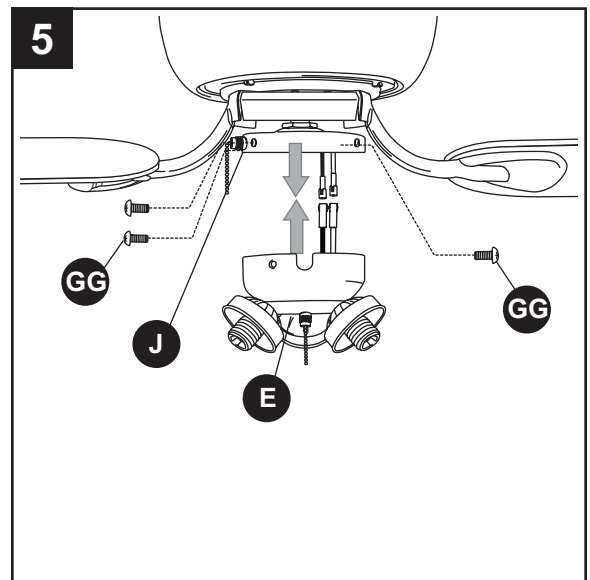
- | | | | |
|---|-------------------------------------|---|-----|
|  | Tornillo para el kit de iluminación |  | x 3 |
|---|-------------------------------------|---|-----|

Nota: Si no desea usar el kit de iluminación, consulte la sección Cómo usar el ventilador sin la opción del kit de iluminación de este manual.

- Suavemente introduzca los cables conectados en la placa de la carcasa del interruptor (J). Oriente la cadena de tiro del ventilador a través de la ranura en el soporte del kit de iluminación (E) y conecte el soporte del kit de iluminación (E) con la placa de la carcasa del interruptor (J) usando los tornillos del kit de iluminación (GG). Asegure los tornillos con un destornillador Phillips.

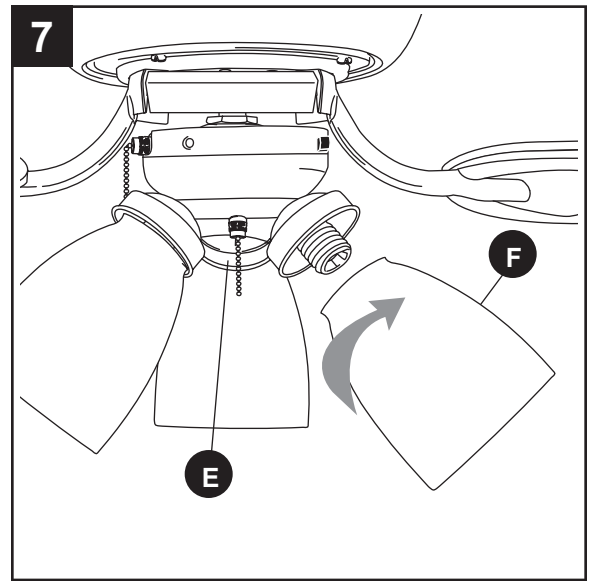
Aditamentos utilizados

- | | | | |
|---|-------------------------------------|---|-----|
|  | Tornillo para el kit de iluminación |  | x 3 |
|---|-------------------------------------|---|-----|



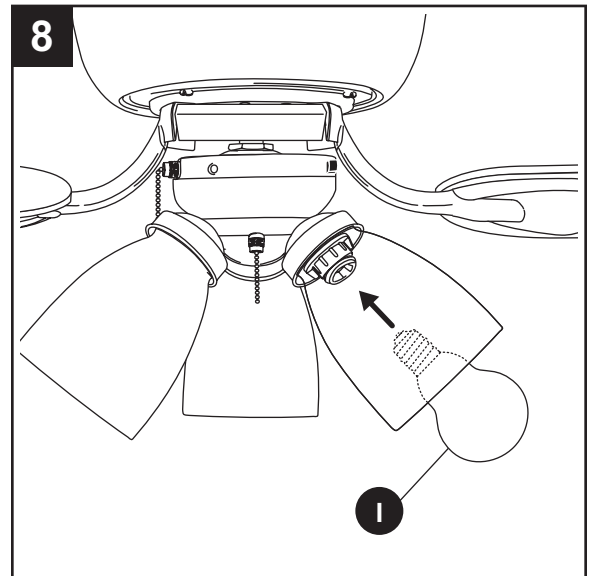
INSTALACIÓN FINAL

7. Atornille las pantallas de vidrio giratorias (F) en los portalámparas del soporte del kit de iluminación (E).

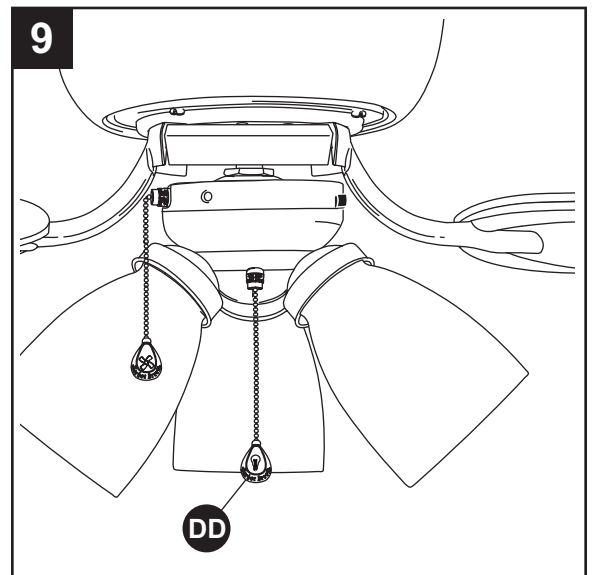


8. Instale las tres bombillas de base candelabro de 60 vatios como máximo (I) incluidas.

Importante: Cuando necesite reemplazar las bombillas, deje que estas y las pantallas de vidrio se enfríen antes de usarlas.

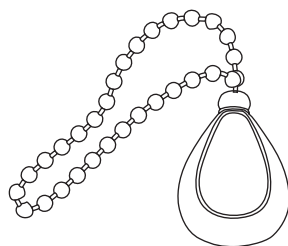


9. Conecte las extensiones para la cadena de tiro (DD) o las extensiones para las cadenas de tiro personalizadas (no incluidas) con las cadenas de tiro del ventilador y la luz.



Aditamentos utilizados

DD Extensión para la cadena de tiro



x 2

CÓMO USAR EL VENTILADOR SIN LA OPCIÓN DEL KIT DE ILUMINACIÓN

1. Retire los tres tornillos del kit de iluminación (GG) de la placa de la carcasa del interruptor (J).

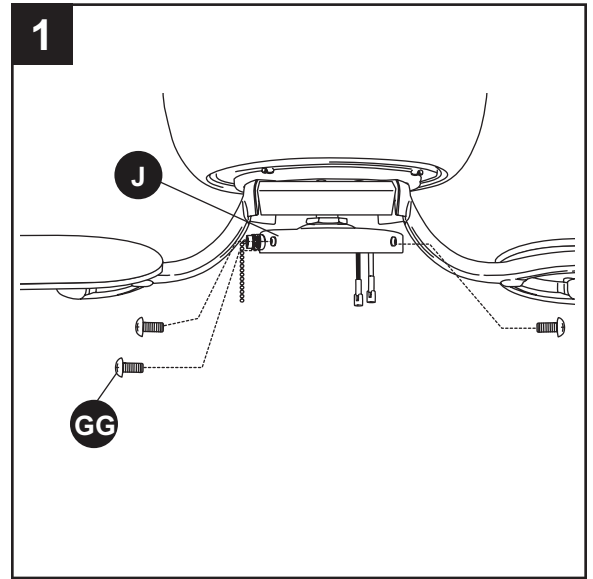
Aditamentos utilizados

GG

Tornillo para el kit de iluminación



x 3



2. Alinee los orificios de la carcasa del interruptor extra (C) con los orificios de los tornillos del kit de iluminación (GG). El amplio espacio en el extremo superior de la carcasa del interruptor extra (C) debe alinearse con el interruptor de reversa de la placa de la carcasa del interruptor (J) para que calce correctamente. Vuelva a insertar los tornillos del kit de iluminación (GG) y asegúrelos firmemente con un destornillador Phillips.

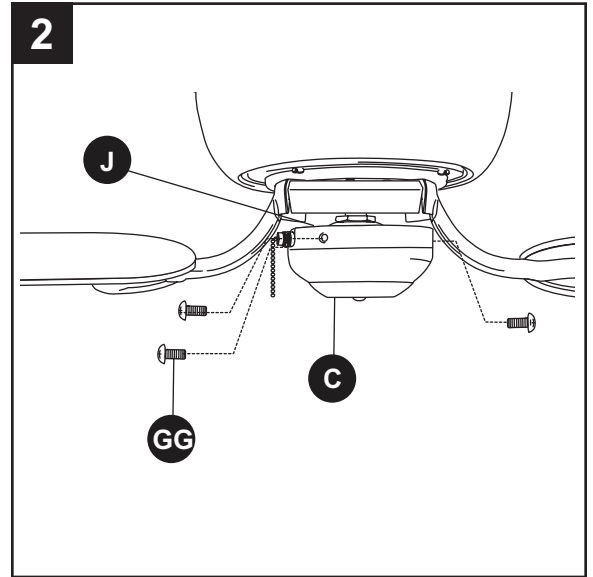
Aditamentos utilizados

GG

Tornillo para el kit de iluminación



x 3

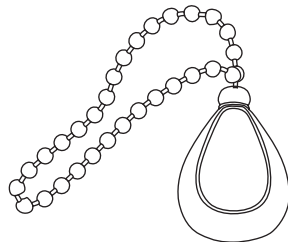


3. Conecte la extensión para la cadena de tiro (DD) a la cadena de tiro del ventilador.

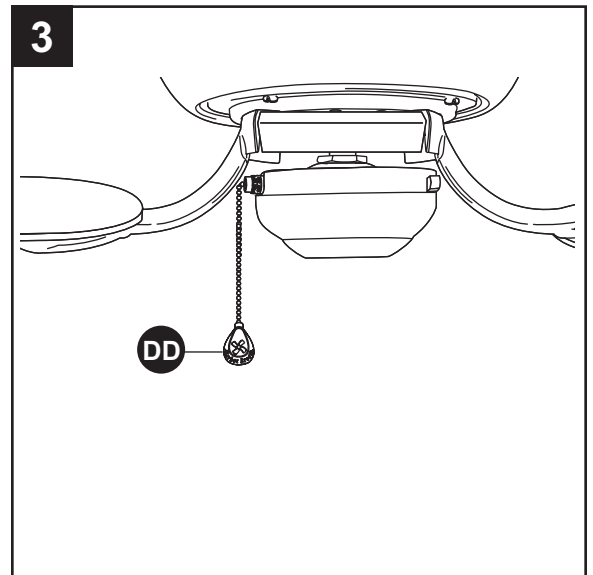
Aditamentos utilizados

DD

Extensión para la cadena de tiro

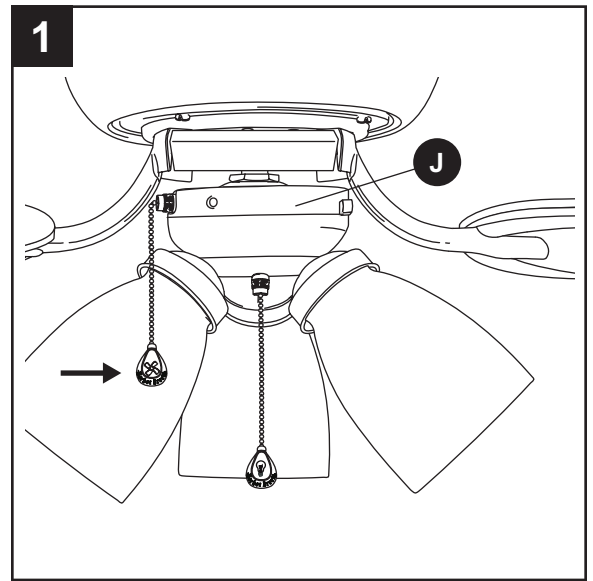


x 1

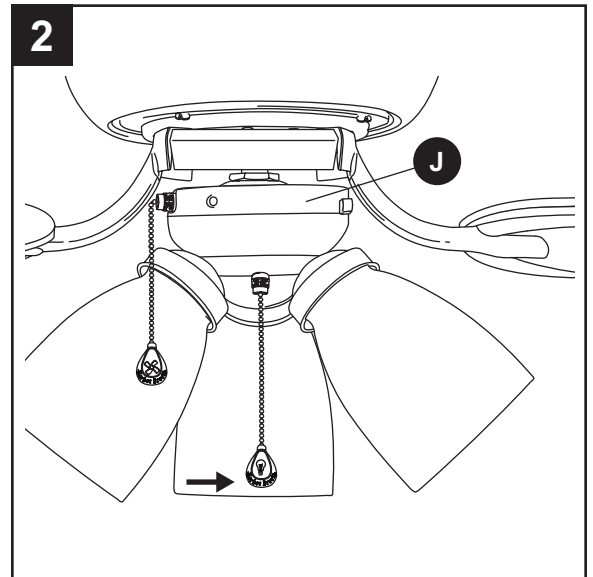


INSTRUCCIONES DE FUNCIONAMIENTO

1. La cadena de tiro ubicada en la placa de la carcasa del interruptor (J) tiene cuatro posiciones para controlar la velocidad del ventilador. Jale una vez para la posición HIGH (ALTA); dos para la posición MEDIUM (MEDIA); tres para la posición LOW (BAJA); y cuatro para la posición OFF (APAGADO).

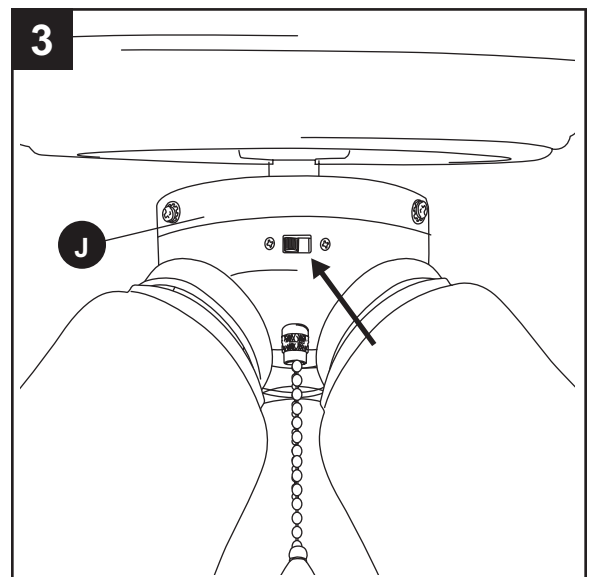


2. La cadena de tiro del centro se utiliza para ENCENDER o APAGAR la luz.



3. Utilice el interruptor de reversa del ventilador, ubicado en la placa de la carcasa del interruptor (J), para optimizar el rendimiento de su ventilador según la estación del año. Un ventilador de techo le permitirá elevar la configuración de su termostato en verano y disminuirla en invierno, sin sentir una diferencia en su comodidad.

Nota: Espere a que el ventilador se detenga antes de mover el interruptor de reversa.

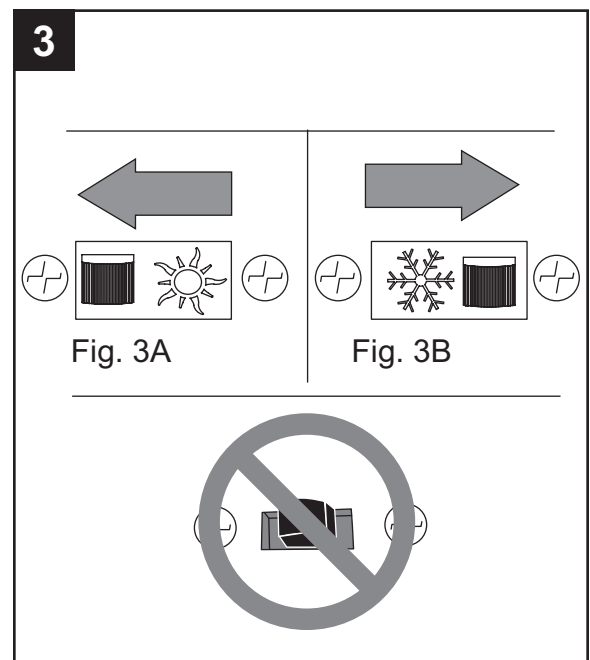


INSTRUCCIONES DE FUNCIONAMIENTO

3A. En climas más cálidos, presione el interruptor de reversa hacia la izquierda y verá un icono de un sol, lo que creará un flujo de aire descendente que generará un efecto de viento refrescante.

3B. En climas más fríos, deslice el interruptor de reversa hacia la derecha y verá un icono de copo de nieve, lo que creará un flujo de aire ascendente que puede ayudar a mover el aire caliente estancado fuera del área del techo.

Importante: El interruptor de reversa se debe deslizar completamente hacia la derecha o hacia la izquierda para que el ventilador funcione. Si el interruptor de reversa se configura en la posición del medio, el ventilador no funcionará.



CUIDADO Y MANTENIMIENTO

Al menos dos veces al año, baje la base para revisar en ensamble de la varilla, y luego apriete todos los tornillos en el ventilador. Limpie la carcasa del motor solo con un cepillo suave o un paño sin pelusas para evitar rayar el acabado. Limpie las aspas con un paño sin pelusas. De vez en cuando puede aplicar una fina capa de cera para muebles en las aspas de madera para darles más protección.

Importante: Antes de realizar cualquier trabajo de mantenimiento, desconecte el suministro de electricidad principal. No utilice agua ni un paño húmedo para limpiar el ventilador.

SOLUCIÓN DE PROBLEMAS

PROBLEMA	CAUSA POSIBLE	ACCIÓN CORRECTIVA
El ventilador no se mueve.	<ol style="list-style-type: none"> 1. El interruptor de reversa no está activado. 2. El interruptor de pared se apagó. 3. No hay suministro de electricidad o hay un fusible (interruptor) quemado. 4. Una conexión de los cables no es la correcta. 	<ol style="list-style-type: none"> 1. Mueva firmemente el interruptor de reversa hacia la izquierda o hacia la derecha. 2. Asegúrese de que el interruptor de pared esté encendido. 3. Encienda el suministro eléctrico o verifique el fusible (interruptor). 4. Desactive la alimentación eléctrica y revise todas las conexiones de la caja de salida del techo.
El ventilador hace ruido.	<ol style="list-style-type: none"> 1. Las aspas están sueltas. 2. Hay una aspa partida. 3. El control de pared no es compatible con el ventilador. 4. No se supera el período de asentamiento. 5. La caja de salida no está asegurada. 6. La abrazadera de montaje no está asegurada. 	<ol style="list-style-type: none"> 1. Revise y apriete todos los tornillos que sostienen las aspas del ventilador en los brazos de las aspas y en el motor. 2. Reemplace la aspa partida. 3. No use un regulador de intensidad de rango completo para controlar la velocidad del ventilador. 4. Haga funcionar el ventilador de 24 a 48 horas continuamente a velocidad media o alta durante el período de "asentamiento". 5. Revise que la caja de salida esté asegurada a la estructura del edificio. 6. Asegúrese de que la abrazadera de montaje esté fija en la caja de salida y que los tornillos estén apretados.
Hay un tambaleo excesivo.	<ol style="list-style-type: none"> 1. Una o varias aspas están flojas. 2. Las aspas no están equilibradas. 3. El montaje del ventilador no está asegurado. 	<ol style="list-style-type: none"> 1. Revise y apriete todos los tornillos que sostienen las aspas del ventilador en los brazos de las aspas y en el motor. 2. Intercambie un aspa con otra del lado opuesto. O equilibre el ventilador mediante el kit de equilibrio (no se incluye). 3. Desconecte el suministro de electricidad. Afloje la base y verifique que la abrazadera de montaje esté asegurada en la caja de salida eléctrica. La abrazadera debe estar al ras de la caja de salida y no debe moverse.

SOLUCIÓN DE PROBLEMAS

PROBLEMA	CAUSA POSIBLE	ACCIÓN CORRECTIVA
El ventilador funciona correctamente, pero las luces no funcionan (si corresponde).	<ol style="list-style-type: none">1. Las bombillas no están bien instaladas.2. Los enchufes de cables del kit de iluminación no están conectados apropiadamente.3. Una conexión de los cables no es la correcta.	<ol style="list-style-type: none">1. Vuelva a instalar las bombillas.2. Asegúrese de que los enchufes macho y hembra del soporte del kit de iluminación estén conectados correctamente.3. Desactive la alimentación eléctrica y revise todas las conexiones de la caja de salida del techo.

Nota: Un cierto "tambaleo" es normal y no se debe considerar como un defecto.



GARANTÍA LIMITADA DE POR VIDA

El fabricante garantiza que este ventilador no presenta defectos de mano de obra ni de materiales en el momento del transporte desde la fábrica durante un período de por vida a partir de la fecha de compra del comprador original. El comercio minorista también garantiza que las demás piezas del ventilador, con excepción de cualquier aspa de vidrio o plexiglás, no presentan defectos de mano de obra ni de materiales en el momento del transporte desde la fábrica, durante un período de un año a partir de la fecha de compra por parte del comprador original. El fabricante acepta reparar dichos defectos sin cargo o, a su elección, reemplazar el ventilador de techo por un modelo comparable o superior.

Para obtener el servicio de garantía, presente una copia del recibo como comprobante de la compra. Todos los costos de retiro y reinstalación del producto son su responsabilidad. Esta garantía no se aplica a ningún daño que se produzca en cualquier pieza del producto como consecuencia de un accidente, uso indebido o instalación incorrecta, o causado por elementos accesorios. El fabricante no asume ningún tipo de responsabilidad por la instalación del ventilador durante la garantía limitada de por vida. Cualquier servicio realizado por una persona no autorizada invalidará la garantía.

Debido a las cambiantes condiciones climáticas, esta garantía no cubre cambios en el acabado de latón, incluidos la oxidación, las picaduras, la corrosión, el deslustre o el descascarado. Los acabados de latón de este tipo proporcionan una vida útil más prolongada si se los protege de las cambiantes condiciones climáticas. La garantía no cubre los elementos de vidrio incluidos con este ventilador.

Cualquier reemplazo de piezas defectuosas para el ventilador de techo debe informarse dentro del primer año posterior a la fecha de compra. Para conocer el saldo de la garantía, llame a nuestro departamento de servicio al cliente y obtenga la autorización de la devolución e instrucciones de envío de modo que podamos reparar o reemplazar el ventilador de techo. Cualquier ventilador o piezas devueltos de forma incorrecta son responsabilidad única del comprador. No existen otras garantías explícitas. El fabricante rechaza cualquier y todas las garantías. La duración de cualquier garantía implícita que no se pueda rechazar se limita al período de tiempo especificado en la garantía expresa. El fabricante no será responsable por daños incidentales, resultantes o especiales que surjan en relación con el uso o el rendimiento del producto, excepto que la ley indique lo contrario. Esta garantía le otorga derechos legales específicos, pero podría tener, también, otros derechos que varían según el estado.

Esta garantía sustituye cualquier garantía previa.

Nota: Un cierto "tambaleo" es normal y no se debe considerar como un defecto.



LISTA DE PIEZAS DE REPUESTO

Para obtener piezas de repuesto, llame a nuestro Departamento de Servicio al Cliente al 1-800-643-0067, de lunes a viernes de 8 a.m. a 6 p.m., y los viernes de 8 a.m. a 5 p.m., hora estándar del Este. Cuando pida piezas, tenga a mano el No. de modelo o el No. de artículo del ventilador disponible.

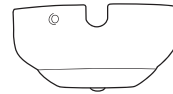
PIEZA	DESCRIPCIÓN	MODELO 40109 PIEZA #	MODELO 40110 PIEZA #	MODELO 40111 PIEZA #
A	Carcasa del motor	403515-A	403516-A	403514-A
B	Soporte de montaje superior	403515-B	403516-B	403514-B
C	Carcasa del interruptor extra	403515-C	403516-C	403514-C
F	Pantalla de vidrio giratoria	403515-F	403516-F	403514-F
G	Brazo del aspa	403515-G	403516-G	403514-G
H	Aspa	403515-H	403516-H	403514-H
JJ	Kit de aditamentos	403515-JJ	403516-JJ	403514-JJ



A



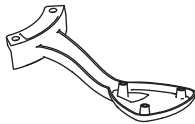
B



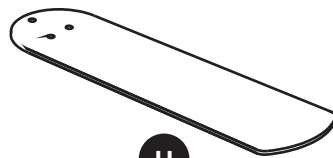
C



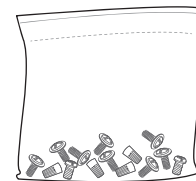
F



G



H



JJ

Impreso en China

Harbor Breeze® es una marca registrada de LF, LLC.
Todos los derechos reservados.